

FOREMAN Lockers' unique construction design of phenolic panels in aluminum profiles creates sectional, mutually integrated frames that eliminate the need for screws, dowels, glue or other permanent fastenings. Extremely strong, highly impact resistant, waterproof and non-corroding, the result is a completely modular system: less expensive to ship, simple to install, ideal for retrofit or remodel. The KD design allows them to be disassembled and reassembled without compromise to the material or structural integrity of the finished product.

SPECIFICATIONS

Panel Materials

All interior walls are constructed of 1/8 inch HPL phenolic panels. Floor, ceiling and shelves, as well as filler and finish end-panels are constructed of 3/8 inch HPL phenolic Compact™ Structural Laminates made by Formica® Group (or equivalent).

Doors

Doors are constructed of 3/8 inch thick HPL phenolic material with polished, radius edges. Doors open 180 degrees for full compartment access. Ample ventilation is provided by a 3mm gap around the entire door perimeter.

Body

Extruded aircraft aluminum profiles are bolted to 3/8 inch thick phenolic top and bottom panels to create the box frame with 1/8 inch thick HPL phenolic panels for back and side walls creating a completely phenolic body.

Hinges

3.5 mm thick cast aluminum hinges are integrated directly into the extruded aluminum profiles and are continuous for the length of the locker body two compartment doors are secured to hinge on 2 door wings each with single zinc-plated through-bolt.

Strike Plate

4mm thick aluminum strike plate is integrated into the profile and is continuous for the entire length of the locker body providing additional security.

Interior Hooks

Two compartment lockers have a 3-pronged, rotating polished aluminum ceiling hook.

Number Plates

Adhesive mounted black plastic plates with engraved silver reveal.

Color

Doors and exterior finish side panels are available in a variety of colors, patterns and wood grains from the Formica (or equivalent) color chain. Interior body panels are available in white (or optional black).

Finishes

Profiles are powder coated with a polyester-epoxy single coat with integral gloss finish. Gray color (standard) or custom colors optional. All frame fasteners are stainless steel.

Options

Locks

The continuous strike plate accommodates virtually any mechanical or electronic locking mechanisms (cam, deadbolt, spring bolt) from a variety of manufactures.

Shelving

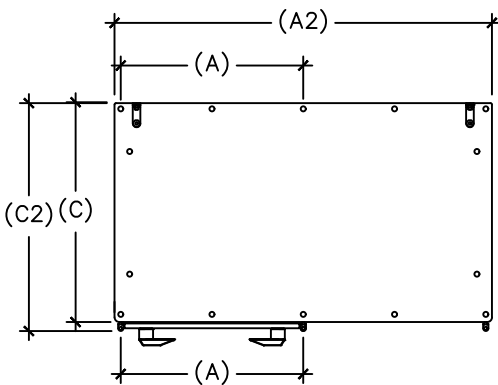
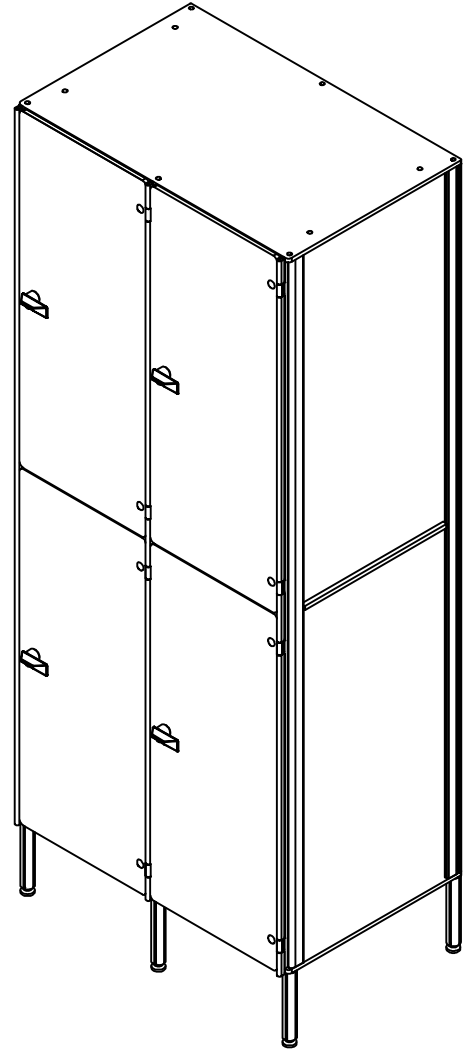
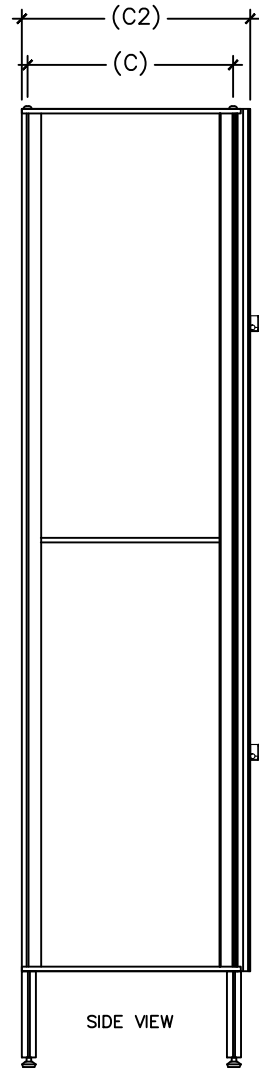
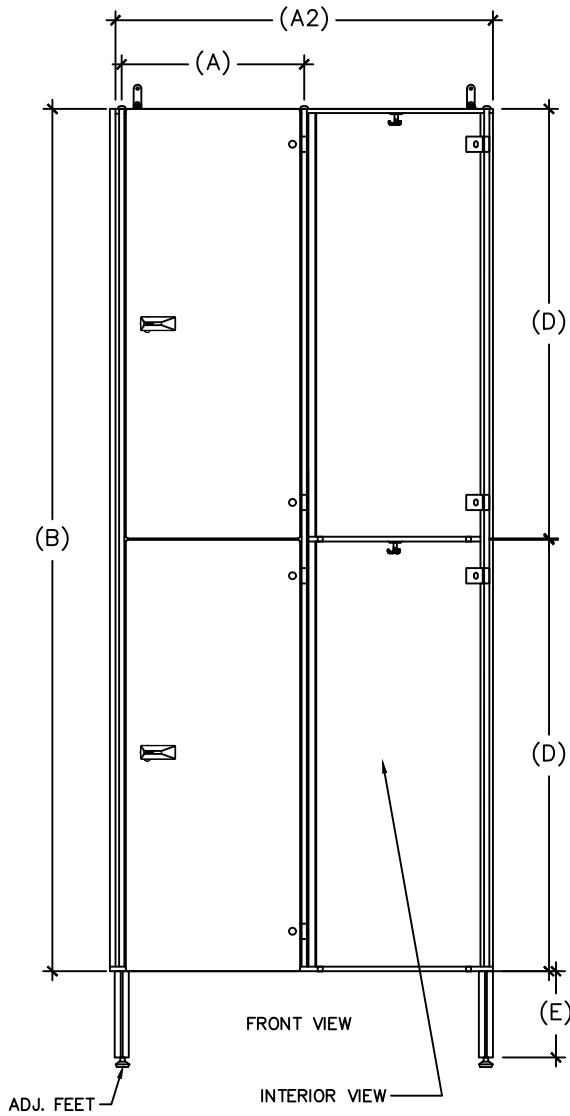
Interior top/hat shelf with hanging 3 prong hook.
Interior footwear shelf (optional)
Hanging clothes bar (optional)

Hasps

Padlock cam-hasps are made of anodized heavy-duty cast aluminum.

Adjustable Legs

Extruded Aluminum, 7.87 inches, with 3 inch adjustment range.



SIZE CHART

WIDTHS/ No# TOWERS		T1	T2	T3	T4	T5	T6
	WIDTH	(A)	(A2)	(A2)	(A2)	(A2)	(A2)
	12"	305	636	941	1246	1551	1856
	15"	381	788	1169	1550	1931	
	18"	457	940	1397	1854		
	20"	504	1036	1538			
	22"	559	1144				
	24"	610	1246				
		(B)	(C)	(C2)	(D)	(E)	
	12"	-	279	305	885	170/100	
	15"	-	355	381	885	170/100	
	18"	-	431	457	885	170/100	
	20"	-	478	504	885	170/100	
	22"	-	533	559	885	170/100	
	24"	-	584	610	885	170/100	
	70"	1800					

FOREMAN
locker systems

PROPRIETARY AND CONFIDENTIAL	DESCRIPTION	NAME	DATE
THE INFORMATION CONTAINED IN THIS DRAWING IS THE SOLE PROPERTY OF FOREMAN fitness products. ANY REPRODUCTION IN PART OR AS A WHOLE WITHOUT THE WRITTEN PERMISSION OF FOREMAN fitness products IS PROHIBITED.	2 TIER LOCKER	DRAWN BY	MA -
	SEE CHART FOR SIZES	MFG APPR.	MFG -
	SCALE: AS NOTED	SHEET #	9