

FOREMAN Lockers' unique construction design of phenolic panels in aluminum profiles creates sectional, mutually integrated frames that eliminate the need for screws, dowels, glue or other permanent fastenings. Extremely strong, highly impact resistant, waterproof and non-corroding, the result is a completely modular system: less expensive to ship, simple to install, ideal for retrofit or remodel. The KD design allows them to be disassembled and reassembled without compromise to the material or structural integrity of the finished product.

SPECIFICATIONS

Panel Materials

All interior walls are constructed of 1/8 inch HPL phenolic panels. Floor, ceiling and shelves, as well as filler and finish end-panels are constructed of 3/8 inch HPL phenolic Compact™ Structural Laminates made by Formica® Group (or equivalent).

Doors

Doors are constructed of 3/8 inch thick HPL phenolic material with polished, radius edges. Doors open 180 degrees for full compartment access. Ample ventilation is provided by a 3mm gap around the entire door perimeter.

Body

Extruded aircraft aluminum profiles are bolted to 3/8 inch thick phenolic top and bottom panels to create the box frame with 1/8 inch thick HPL phenolic panels for back and side walls creating a completely phenolic body.

Hinges

3.5 mm thick cast aluminum hinges are integrated directly into the extruded aluminum profiles and are continuous for the length of the locker body four compartment doors are secured to hinge on 2 door wings each with single zinc-plated through-bolt.

Strike Plate

4mm thick aluminum strike plate is integrated into the profile and is continuous for the entire length of the locker body providing additional security.

Interior Hooks

3,4,5, and 6 compartment lockers have a 3-pronged, rotating polished aluminum ceiling hook.

Number Plates

Adhesive mounted black plastic plates with engraved silver reveal.

Color

Doors and exterior finish side panels are available in a variety of colors, patterns and wood grains from the Formica (or equivalent) color chain. Interior body panels are available in white (or optional black).

Finishes

Profiles are powder coated with a polyester-epoxy single coat with integral gloss finish. Gray color (standard) or custom colors optional. All frame fasteners are stainless steel.

Options

Locks

The continuous strike plate accommodates virtually any mechanical or electronic locking mechanisms (cam, deadbolt, spring bolt) from a variety of manufactures.

Shelving

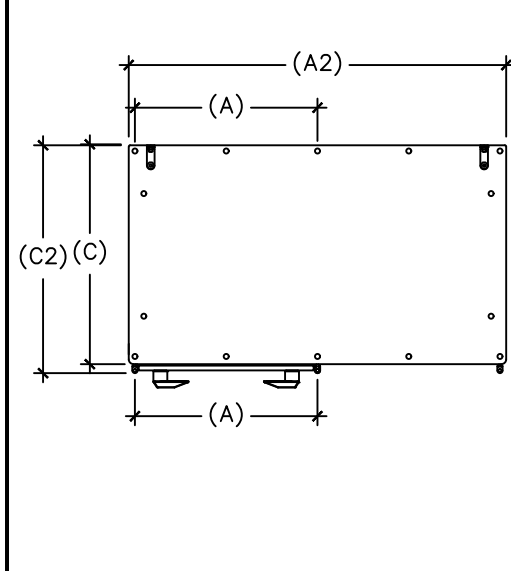
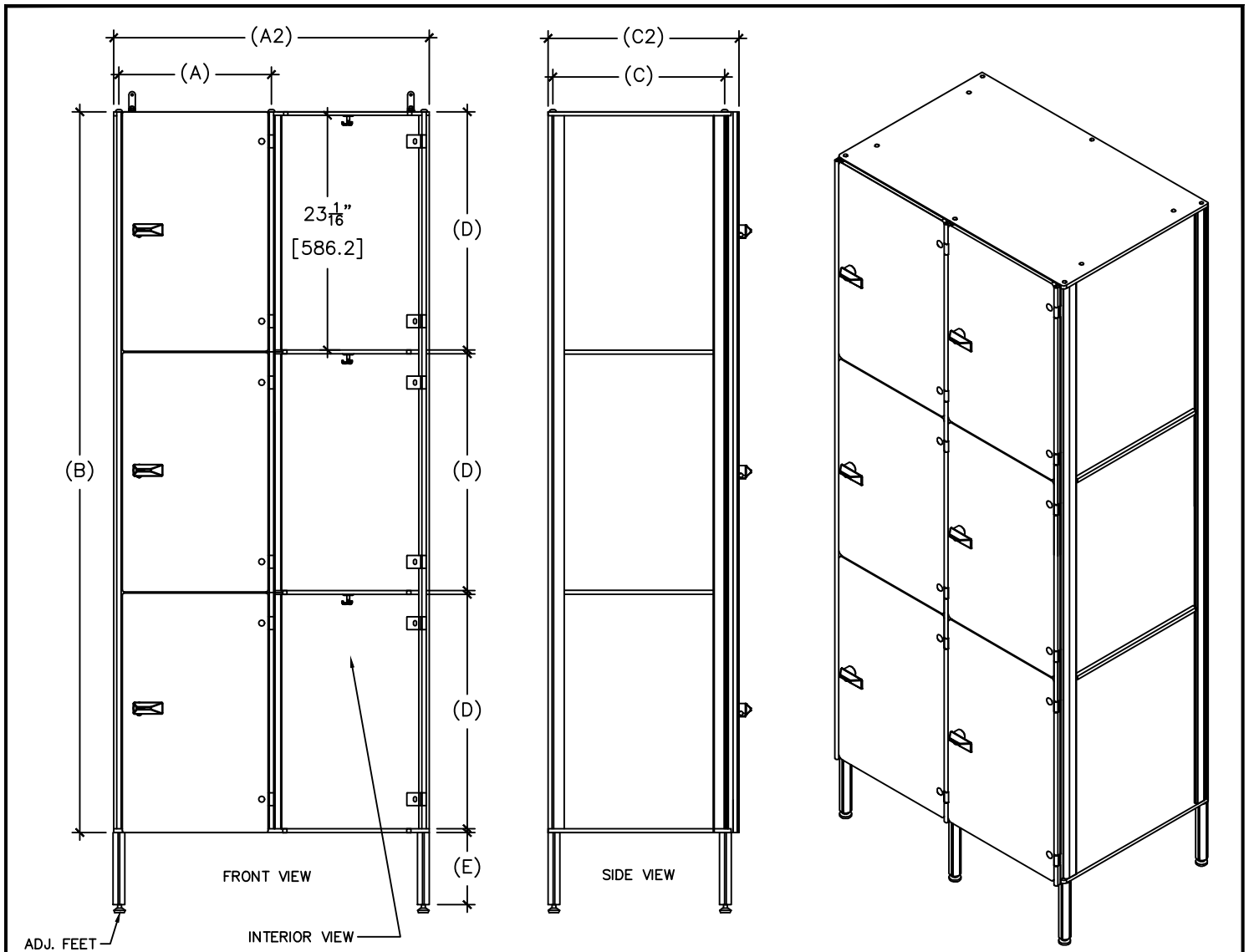
Interior top/hat shelf with hanging 3 prong hook.
Interior footwear shelf (optional)
Hanging clothes bar (optional)

Hasps

Padlock cam-hasp is made of anodized heavy-duty cast aluminum.

Adjustable Legs

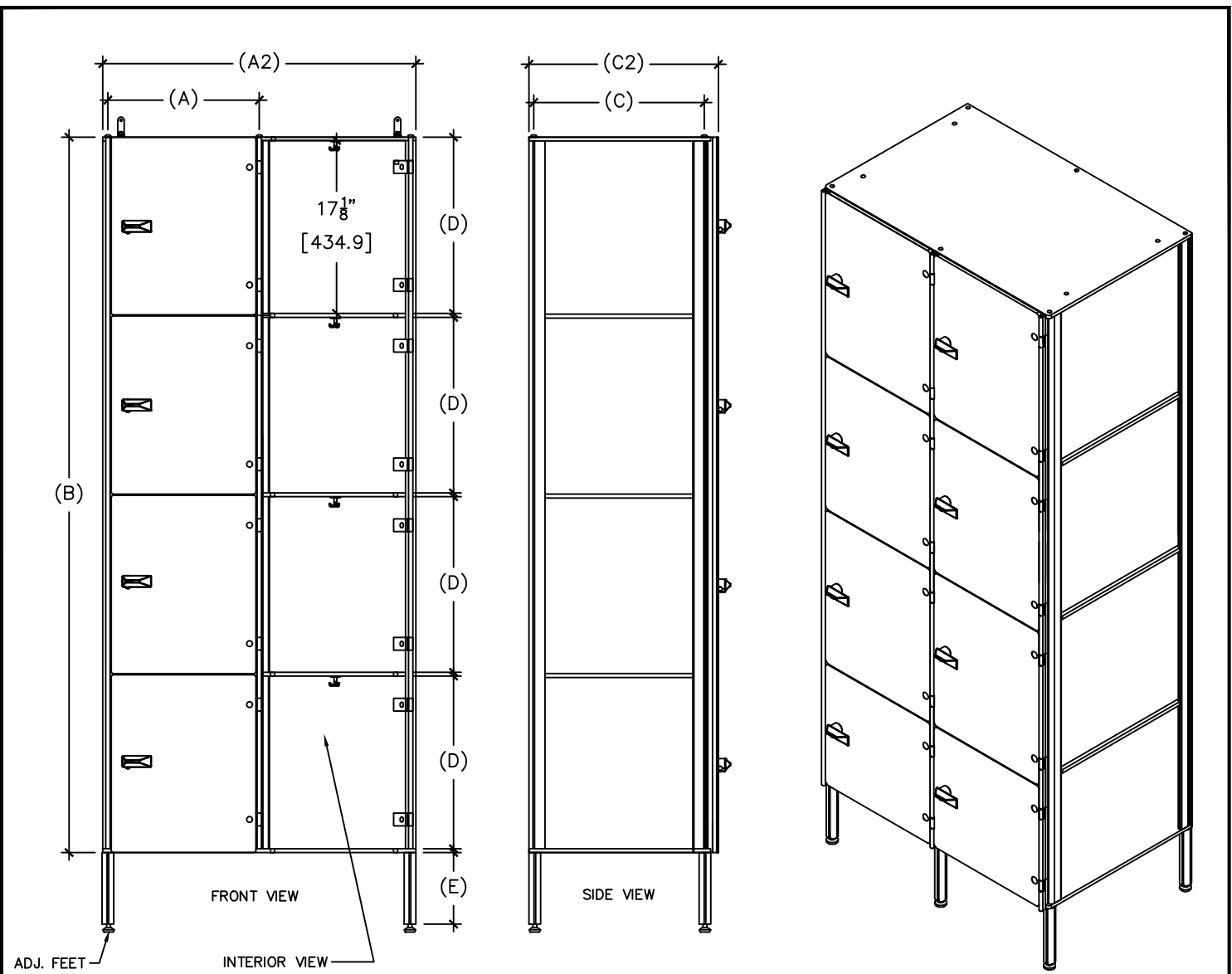
Extruded Aluminum, 7.87 inches, with 3 inch adjustment range.



SIZE CHART

WIDTHS/ No# TOWERS		T1	T2	T3	T4	T5	T6
	WIDTH	A	A2	A2	A2	A2	A2
	12"	305	638	943	1248	1553	1858
	15"	381	790	1171	1552	1933	
	18"	457	942	1399	1856		
	20"	504	1036	1540			
	22"	559	1146				
	24"	610	1248				
		(B)	(C)	(C2)	(D)	(E)	
	12"	-	279	305	586	170/100	
	15"	-	355	381	586	170/100	
	18"	-	431	457	586	170/100	
	20"	-	478	504	586	170/100	
	22"	-	533	559	586	170/100	
	24"	-	584	610	586	170/100	
	70"	1800					

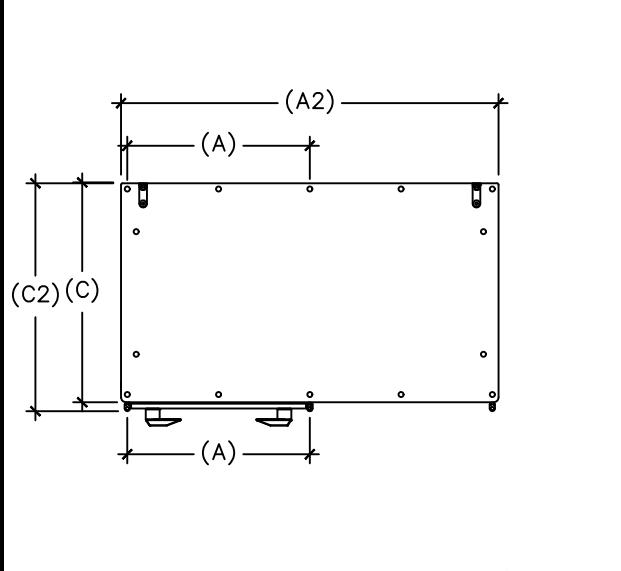
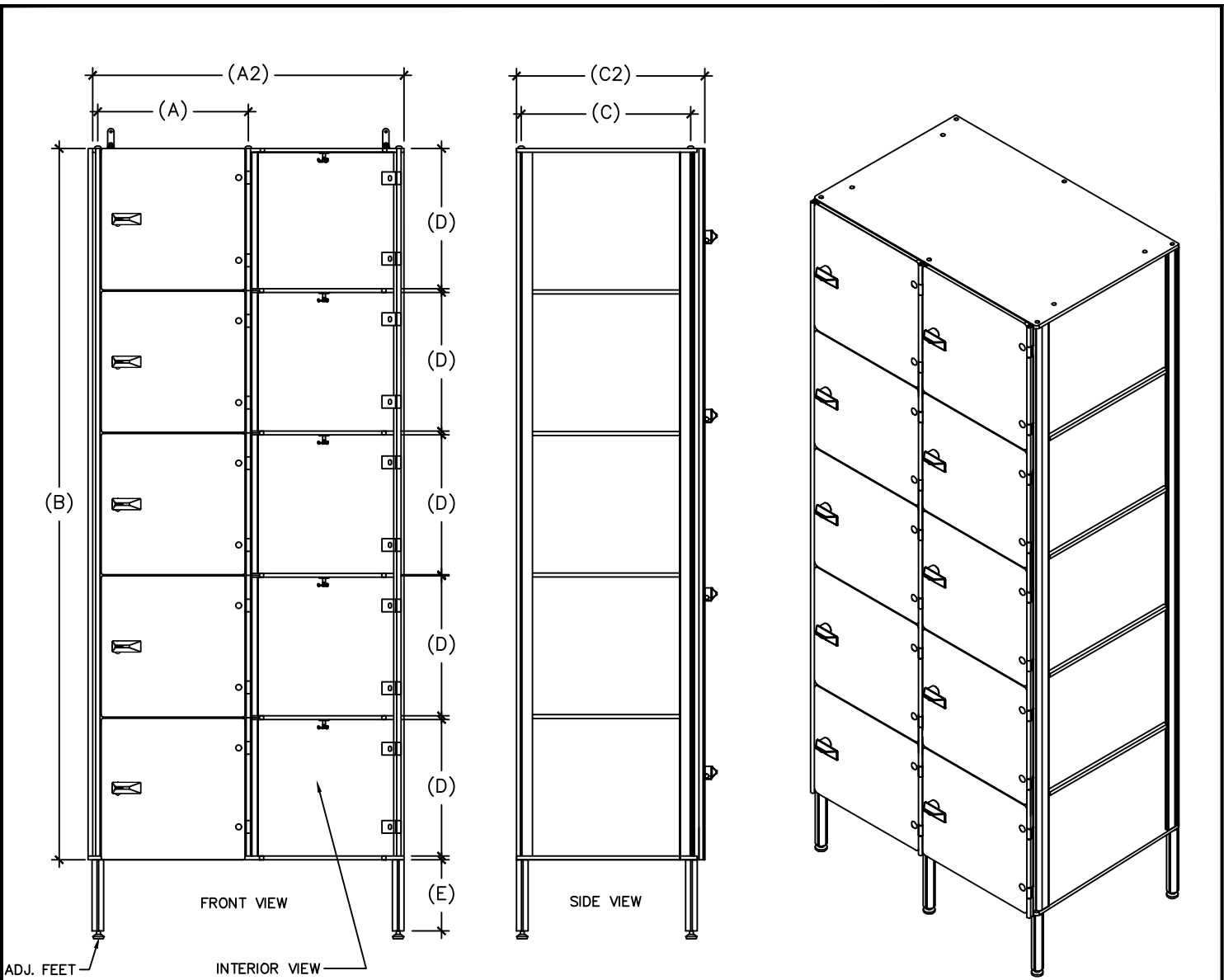
	PROPRIETARY AND CONFIDENTIAL	DESCRIPTION	NAME	DATE	
	THE INFORMATION CONTAINED IN THIS DRAWING IS THE SOLE PROPERTY OF FOREMAN fitness products. ANY REPRODUCTION IN PART OR AS A WHOLE WITHOUT THE WRITTEN PERMISSION OF FOREMAN fitness products IS PROHIBITED.	3 TIER LOCKER	DRAWN BY	MA	-
		SEE CHART FOR SIZES	MFG APPR.	MFG	-
	SCALE: AS NOTED	SHEET #	10		



SIZE CHART							
WIDTHS/ No# TOWERS		T1	T2	T3	T4	T5	T6
	WIDTH	(A)	(A2)	(A2)	(A2)	(A2)	(A2)
	12"	305	638	943	1248	1553	1858
	15"	381	790	1171	1552	1933	
	18"	457	942	1399	1856		
	20"	504	1036	1540			
	22"	559	1146				
	24"	610	1248				
	(B)	(C)	(C2)	(D)	(E)		
12"	-	279	305	438	170/100		
15"	-	355	381	438	170/100		
18"	-	431	457	438	170/100		
20"	-	478	504	438	170/100		
22"	-	533	559	438	170/100		
24"	-	584	610	438	170/100		
70"	1800						

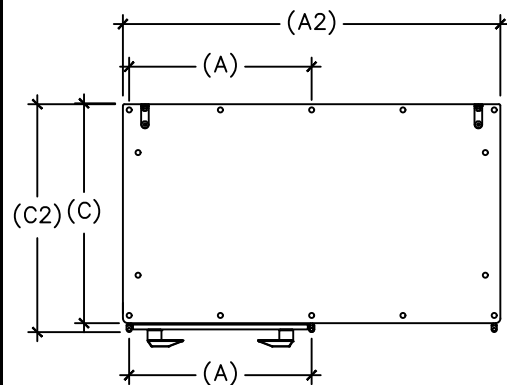
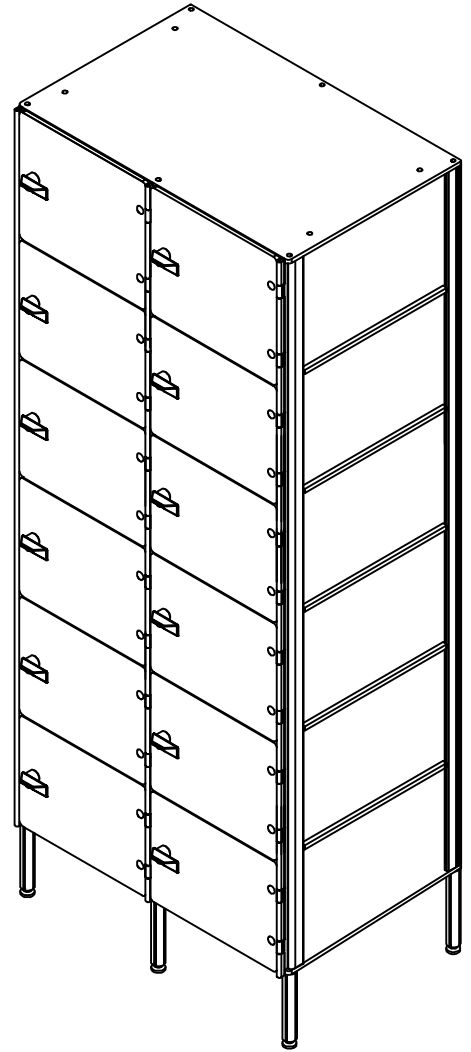
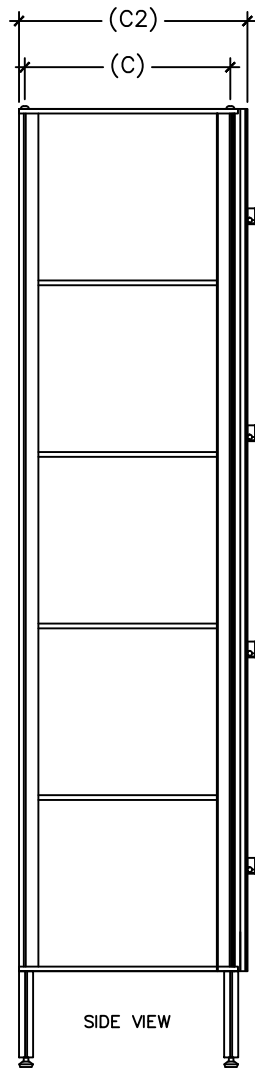
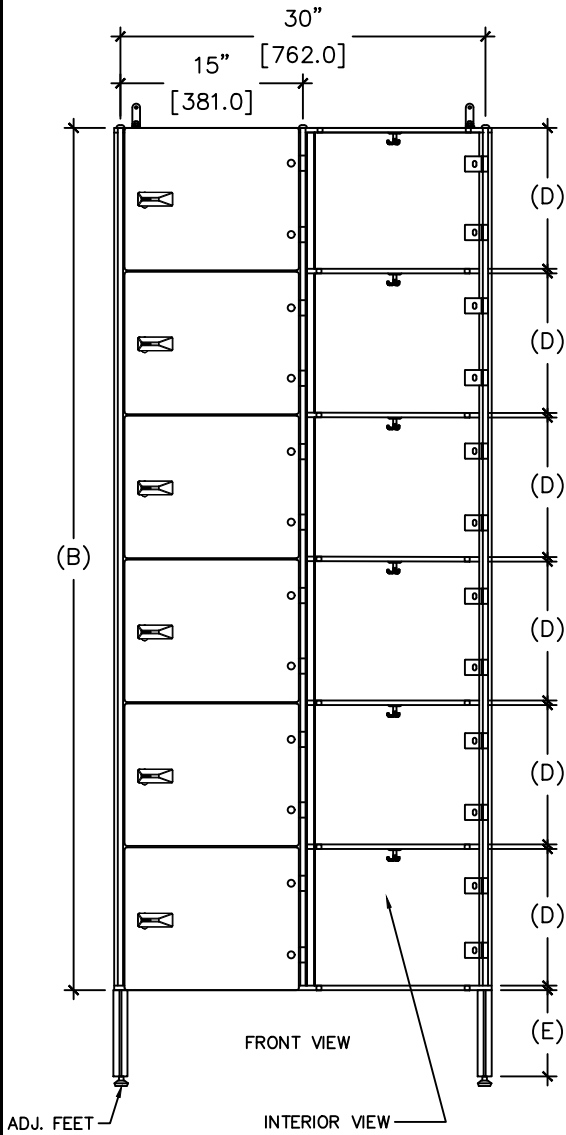


PROPRIETARY AND CONFIDENTIAL THE INFORMATION CONTAINED IN THIS DRAWING IS THE SOLE PROPERTY OF FOREMAN fitness products. ANY REPRODUCTION IN PART OR AS A WHOLE WITHOUT THE WRITTEN PERMISSION OF FOREMAN fitness products IS PROHIBITED.	DESCRIPTION 4 TIER LOCKER	NAME MA	DATE -
	SEE CHART FOR SIZES	MFG APPR. MFG	-
	SCALE: AS NOTED	SHEET # 11	



SIZE CHART								
WIDTHS/ No# TOWERS		T1	T2	T3	T4	T5	T6	
	WIDTH	A	A2	A2	A2	A2	A2	A2
	12"	305	638	943	1248	1553	1858	
	15"	381	790	1171	1552	1933		
	18"	457	942	1399	1856			
	20"	504	1036	1540				
	22"	559	1146					
	24"	610	1248					
	B	(C)	(C2)	(D)	(E)			
12"	-	279	305	348	170/100			
15"	-	355	381	348	170/100			
18"	-	431	457	348	170/100			
20"	-	478	504	348	170/100			
22"	-	533	559	348	170/100			
24"	-	584	610	348	170/100			
70"	1800							

	PROPRIETARY AND CONFIDENTIAL	DESCRIPTION	NAME	DATE	
	THE INFORMATION CONTAINED IN THIS DRAWING IS THE SOLE PROPERTY OF FOREMAN fitness products. ANY REPRODUCTION IN PART OR AS A WHOLE WITHOUT THE WRITTEN PERMISSION OF FOREMAN fitness products IS PROHIBITED.	5 TIER LOCKER	DRAWN BY	MA	-
		SEE CHART FOR SIZES	MFG APPR.	MFG	-
		SCALE: AS NOTED	SHEET #	12	



SIZE CHART

WIDTHS/ No# TOWERS		T1	T2	T3	T4	T5	T6
	WIDTH	(A)	(A2)	(A2)	(A2)	(A2)	(A2)
12"	305	636	941	1246	1551	1856	
15"	381	788	1169	1550	1931		
18"	457	940	1397	1854			
20"	504	1036	1538				
22"	559	1144					
24"	610	1246					
	(B)	(C)	(C2)	(D)	(E)		
12"	-	279	305	288	170/100		
15"	-	355	381	288	170/100		
18"	-	431	457	288	170/100		
20"	-	478	504	288	170/100		
22"	-	533	559	288	170/100		
24"	-	584	610	288	170/100		
70"	1800						



PROPRIETARY AND CONFIDENTIAL	DESCRIPTION	NAME	DATE
THE INFORMATION CONTAINED IN THIS DRAWING IS THE SOLE PROPERTY OF FOREMAN fitness products. ANY REPRODUCTION IN PART OR AS A WHOLE WITHOUT THE WRITTEN PERMISSION OF FOREMAN fitness products IS PROHIBITED.	6 TIER LOCKER	DRAWN BY MA	-
	SEE CHART FOR SIZES	MFG APPR. MFG	-
	SCALE: AS NOTED	SHEET # 13	