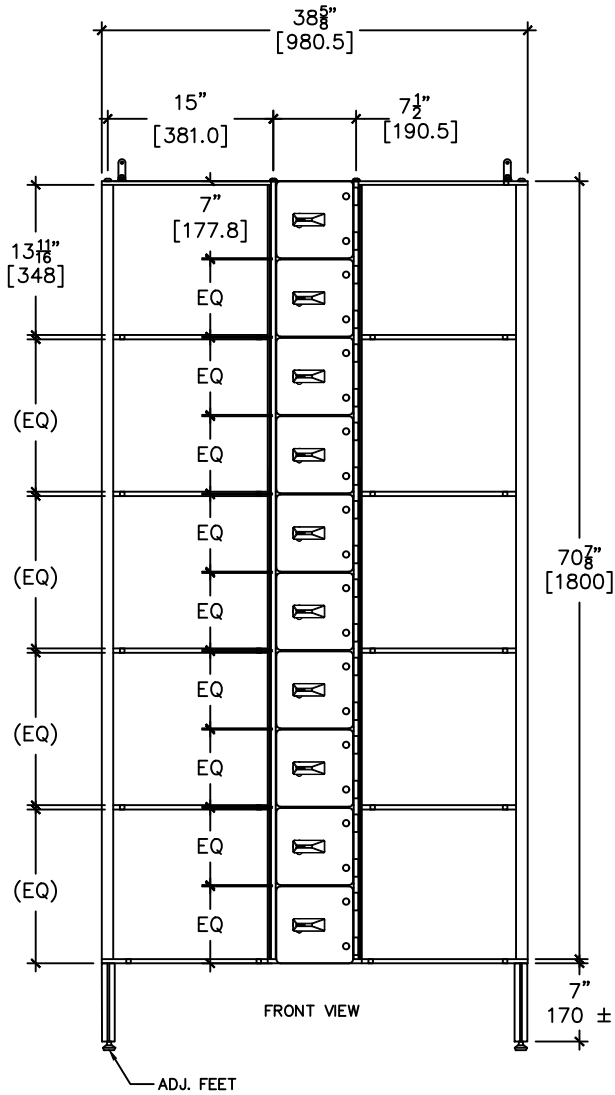
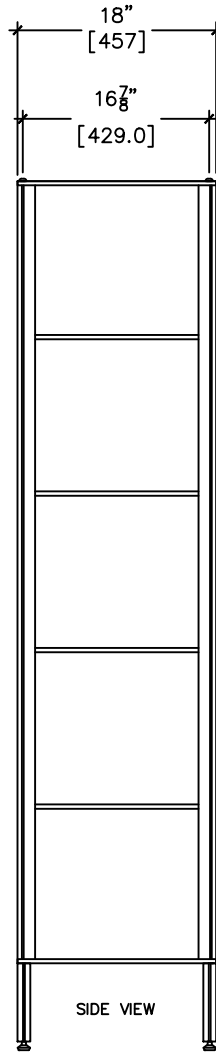


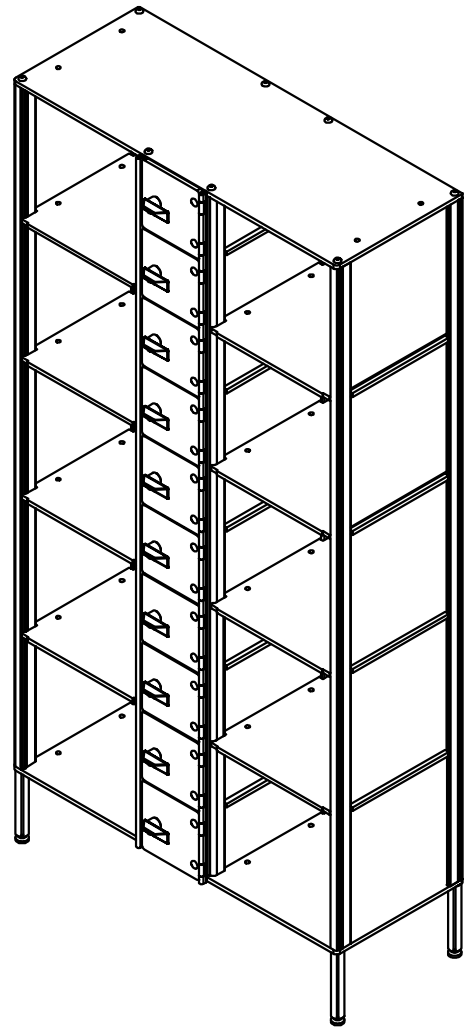
TOP VIEW



FRONT VIEW



SIDE VIEW



**FOREMAN**  
locker systems

**PROPRIETARY AND CONFIDENTIAL**

THE INFORMATION CONTAINED IN THIS DRAWING IS THE SOLE PROPERTY OF FOREMAN fitness products. ANY REPRODUCTION IN PART OR AS A WHOLE WITHOUT THE WRITTEN PERMISSION OF FOREMAN fitness products IS PROHIBITED.

**DESCRIPTION**

CUBBY- COMBO

--

SCALE: AS NOTED

**NAME**

MFG

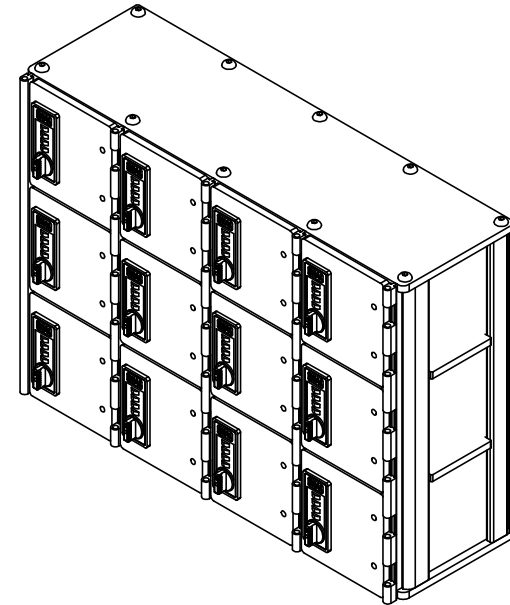
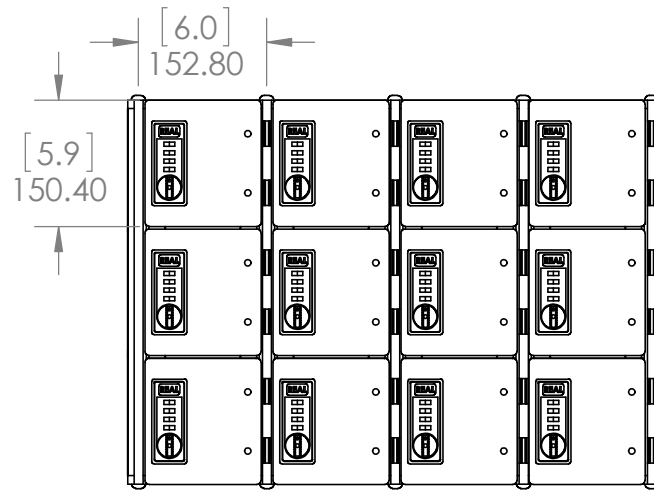
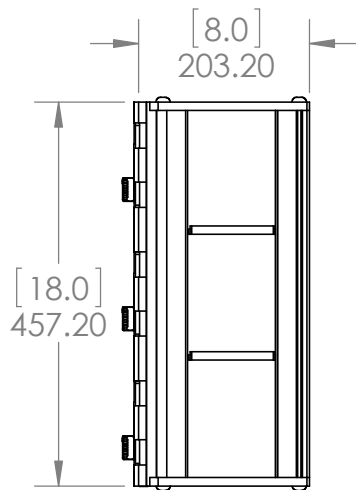
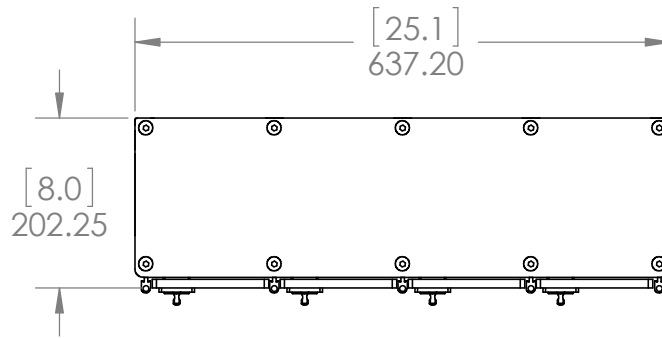
SHEET #

**DATE**

--

--

1



**PROPRIETARY AND CONFIDENTIAL**  
 THE INFORMATION CONTAINED IN THIS DRAWING IS THE SOLE PROPERTY OF FOREMAN LOCKERS. ANY REPRODUCTION IN PART OR AS A WHOLE WITHOUT THE WRITTEN PERMISSION OF FOREMAN LOCKERS IS PROHIBITED.

|             |         |   |           |      |      |
|-------------|---------|---|-----------|------|------|
|             |         | UNLESS OTHERWISE SPECIFIED:   |           | NAME | DATE |
|             |         | DIMENSIONS ARE IN INCHES<br>TOLERANCES:<br>FRACTIONAL ±<br>ANGULAR: MACH ± BEND ±<br>TWO PLACE DECIMAL ±<br>THREE PLACE DECIMAL ± | DRAWN     |      |      |
|             |         | INTERPRET GEOMETRIC TOLERANCING PER:  | CHECKED   |      |      |
|             |         | MATERIAL<br>3/8" Phenolic   | ENG APPR. |      |      |
|             |         | FINISH<br>White   | MFG APPR. |      |      |
| NEXT ASSY   | USED ON |   | Q.A.      |      |      |
| APPLICATION |         | DO NOT SCALE DRAWING  | COMMENTS: |      |      |

TITLE:  
**FOREMAN**  
 locker systems

|                  |                                 |              |
|------------------|---------------------------------|--------------|
| SIZE<br><b>A</b> | DWG. NO.<br>18x24 Wallet Locker | REV          |
| SCALE: 1:10      | WEIGHT:                         | SHEET 1 OF 1 |