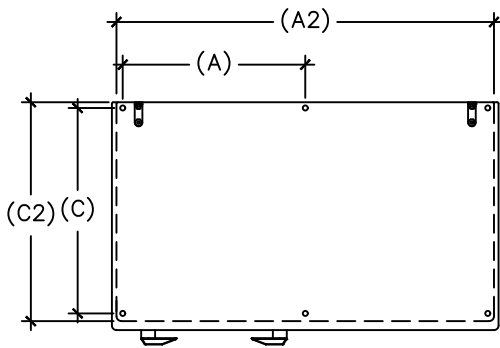
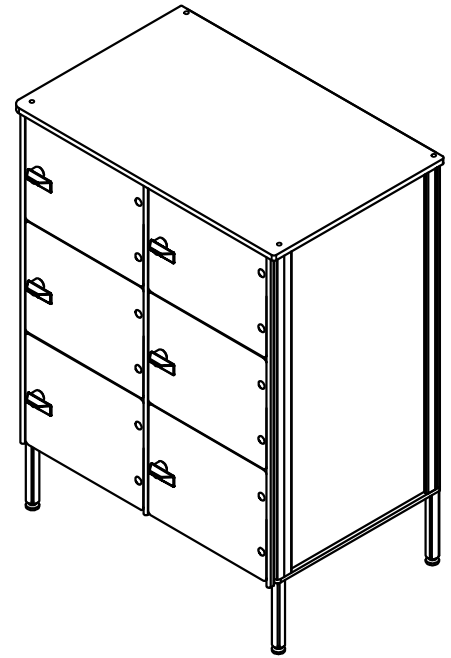
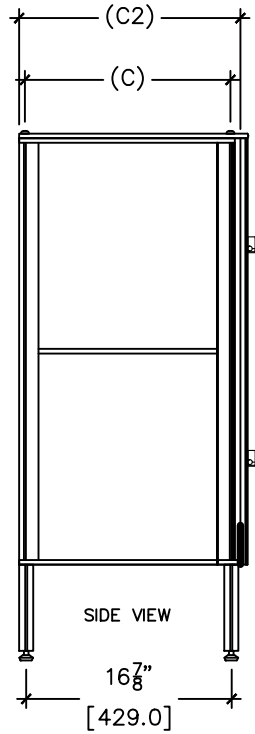
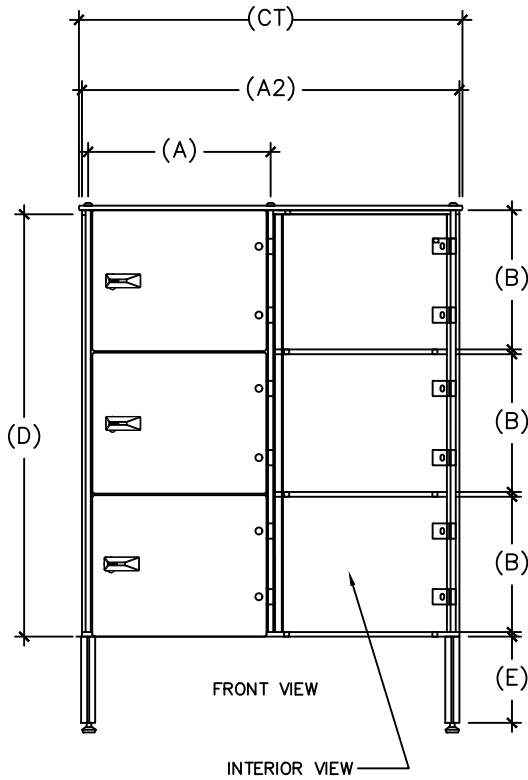


<b>SIZE CHART</b>							
<b>WIDTHS/ No# TOWERS</b>	<b>WIDTH</b>	<b>T1</b>	<b>T2</b>	<b>T3</b>	<b>T4</b>	<b>T5</b>	<b>T6</b>
	12"	A	A2	A2	A2	A2	A2
	15"	305	638	943	1248	1553	1858
	18"	381	790	1171	1552	1933	
	20"	457	942	1399	1856		
	22"	504	1036	1540			
	24"	559	1146				
	24"	610	1248				
		<b>(B)</b>	<b>(C)</b>	<b>(C2)</b>	<b>(D)</b>	<b>(E)</b>	
	12"	-	305	334	430	170/100	
	15"	-	381	410	430	170/100	
	18"	-	457	486	430	170/100	
	20"	-	504	533	430	170/100	
	22"	-	559	588	430	170/100	
24"	-	610	639	430	170/100		
35"	890						
<b>COUNTER TOP SIZE No# TOWERS</b>	<b>WIDTH</b>	<b>T1</b>	<b>T2</b>	<b>T3</b>	<b>T4</b>	<b>T5</b>	<b>T6</b>
		(CT)	(CT)	(CT)	(CT)	(CT)	(CT)
	12"	345	650	955	1260	1565	1870
	15"	421	802	1183	1564	1945	
	18"	497	954	1411	1868		
	20"	548	1056	1564			
	22"	599	1158				
24"	650	1260					



<b>PROPRIETARY AND CONFIDENTIAL</b>	<b>DESCRIPTION</b>	<b>NAME</b>	<b>DATE</b>
THE INFORMATION CONTAINED IN THIS DRAWING IS THE SOLE PROPERTY OF FOREMAN fitness products. ANY REPRODUCTION IN PART OR AS A WHOLE WITHOUT THE WRITTEN PERMISSION OF FOREMAN fitness products IS PROHIBITED.	2 TIER EXECUTIVE LOCKER	DRAWN BY	MA -
	SEE CHART FOR SIZES	MFG APPR.	MFG -
	SCALE: AS NOTED	SHEET #	14



SIZE CHART							
WIDTHS/ No# TOWERS		T1	T2	T3	T4	T5	T6
	WIDTH	A	A2	A2	A2	A2	A2
	12"	305	638	943	1248	1553	1858
	15"	381	790	1171	1552	1933	
	18"	457	942	1399	1856		
	20"	504	1036	1540			
	22"	559	1146				
24"	610	1248					
COUNTER TOP SIZE No# TOWERS		B	(C)	(C2)	(D)	(E)	
	12"	-	305	331	283	170/100	
	15"	-	381	407	283	170/100	
	18"	-	457	483	283	170/100	
	20"	-	504	530	283	170/100	
	22"	-	559	581	283	170/100	
	24"	-	610	636	283	170/100	
	35"	890					
	WIDTH	T1	T2	T3	T4	T5	T6
		(CT)	(CT)	(CT)	(CT)	(CT)	(CT)
12"	345	650	955	1260	1565	1870	
15"	421	802	1183	1564	1945		
18"	497	954	1411	1868			
20"	548	1056	1564				
22"	599	1158					
24"	650	1260					

**FOREMAN**  
locker systems

PROPRIETARY AND CONFIDENTIAL	DESCRIPTION	NAME	DATE
THE INFORMATION CONTAINED IN THIS DRAWING IS THE SOLE PROPERTY OF FOREMAN fitness products. ANY REPRODUCTION IN PART OR AS A WHOLE WITHOUT THE WRITTEN PERMISSION OF FOREMAN fitness products IS PROHIBITED.	3 TIER EXECUTIVE LOCKER	DRAWN BY	MA -
	SEE CHART FOR SIZES	MFG APPR.	MFG -
	SCALE: AS NOTED	SHEET #	15