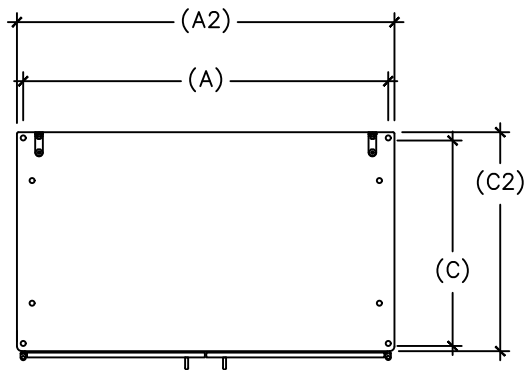
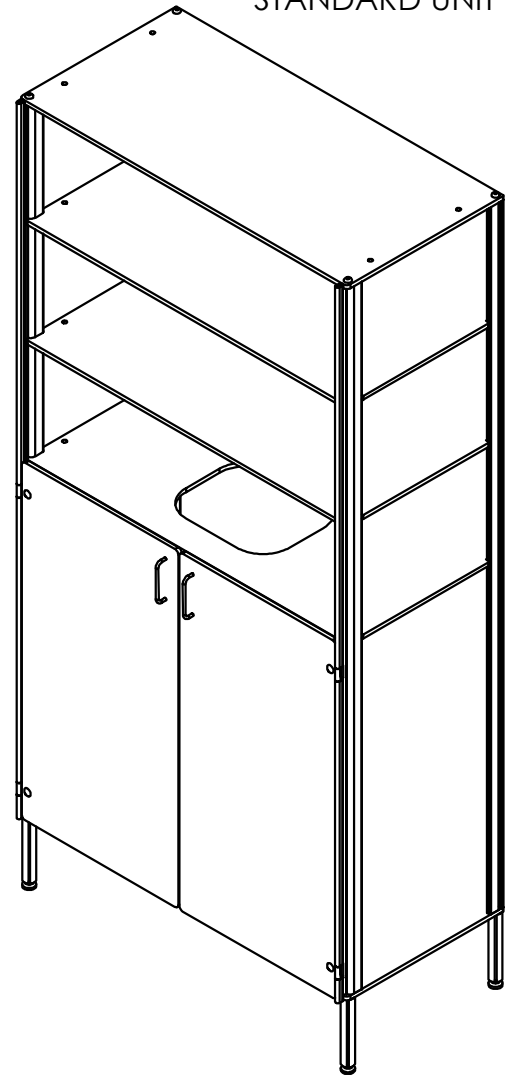
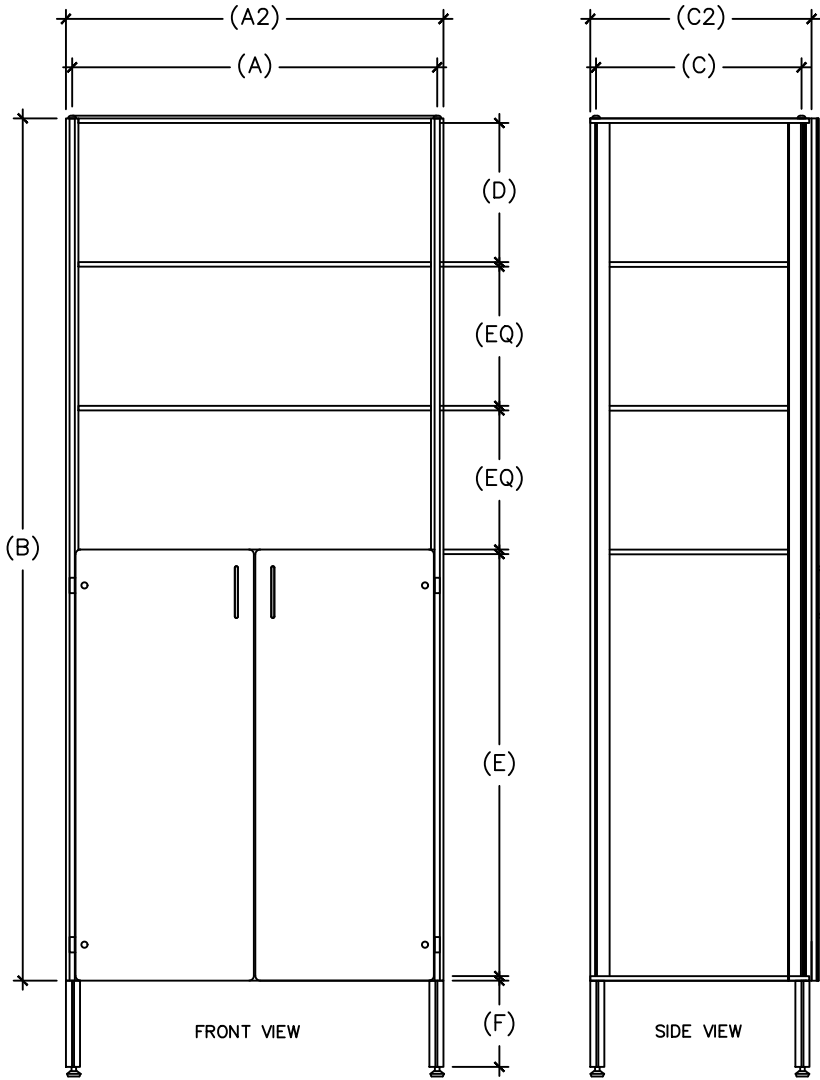


TOWEL DROP
STANDARD UNIT

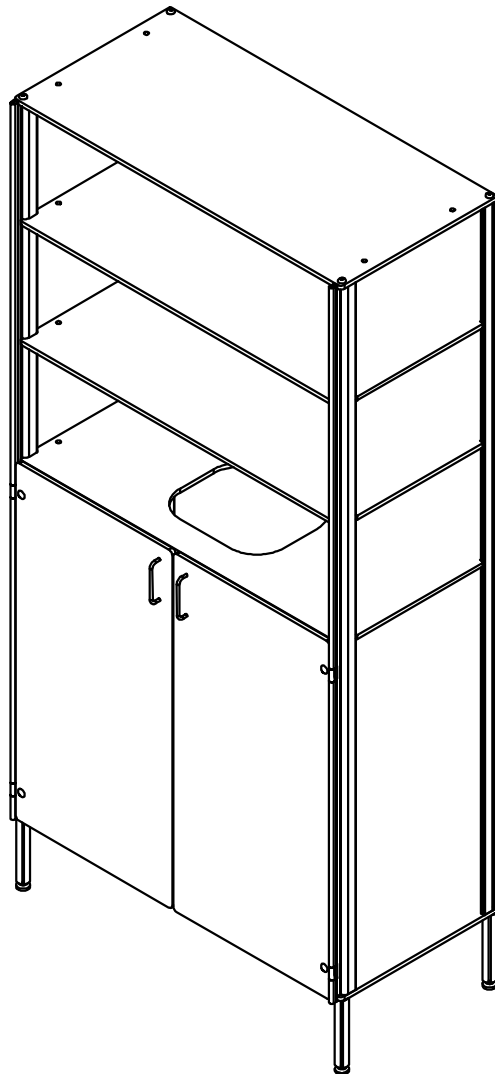
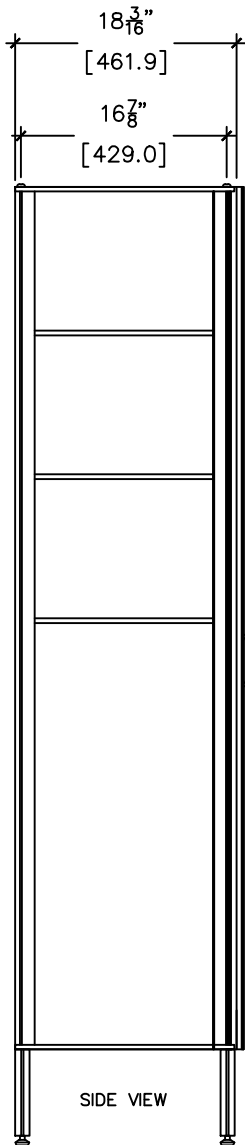
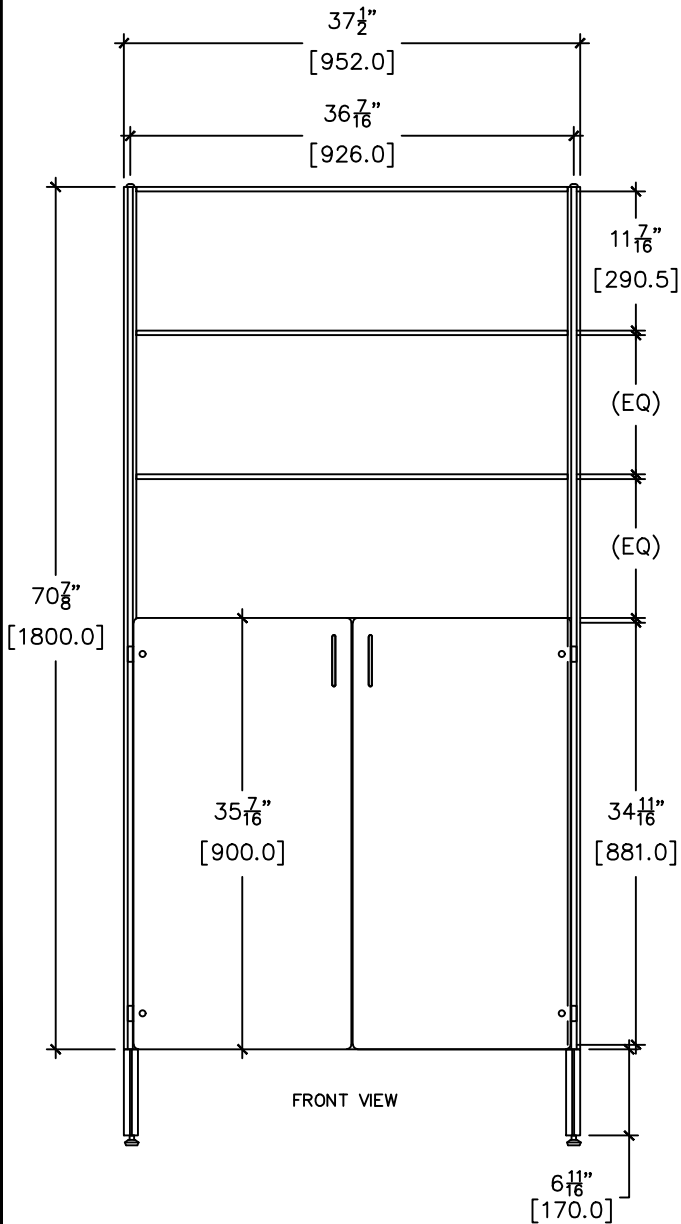
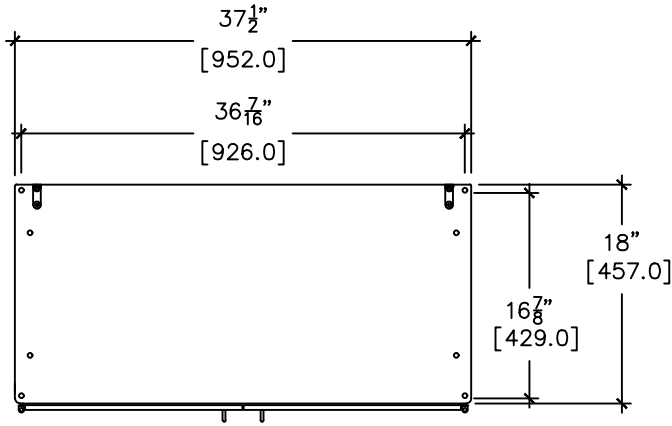


SIZE CHART							
WIDTHS/ No# TOWERS	WIDTH	(A)	T2 (A2)				
	12"	610	638				
	15"	762	790				
	18"	914	942				
	20"	1008	1036				
	22"	1118	1146				
	24"	1220	1248				
		(B)	(C)	(C2)	(D)	(E)	(F)
12"	-	279	305	291	900	170/100	
15"	-	355	381	291	900	170/100	
18"	-	431	457	291	900	170/100	
20"	-	478	504	291	900	170/100	
22"	-	533	559	291	900	170/100	
24"	-	584	610	291	900	170/100	
70"	1800						

FOREMAN
locker systems

PROPRIETARY AND CONFIDENTIAL	DESCRIPTION	NAME	DATE
THE INFORMATION CONTAINED IN THIS DRAWING IS THE SOLE PROPERTY OF FOREMAN fitness products. ANY REPRODUCTION IN PART OR AS A WHOLE WITHOUT THE WRITTEN PERMISSION OF FOREMAN fitness products IS PROHIBITED.	STD TOWEL DISPENSER	DRAWN BY	MAA --
	--	MFG APPR.	MFG --
	SCALE: AS NOTED	SHEET #	22

TOWEL STORAGE WITH
TOWEL DROP END UNIT



FOREMAN
locker systems

PROPRIETARY AND CONFIDENTIAL		DESCRIPTION	NAME	DATE	
THE INFORMATION CONTAINED IN THIS DRAWING IS THE SOLE PROPERTY OF FOREMAN fitness products. ANY REPRODUCTION IN PART OR AS A WHOLE WITHOUT THE WRITTEN PERMISSION OF FOREMAN fitness products IS PROHIBITED.		END TOWEL DISPENSER	DRAWN BY	MAA	--
		--	MFG APPR.	MFG	--
SCALE: AS NOTED			SHEET #	1	