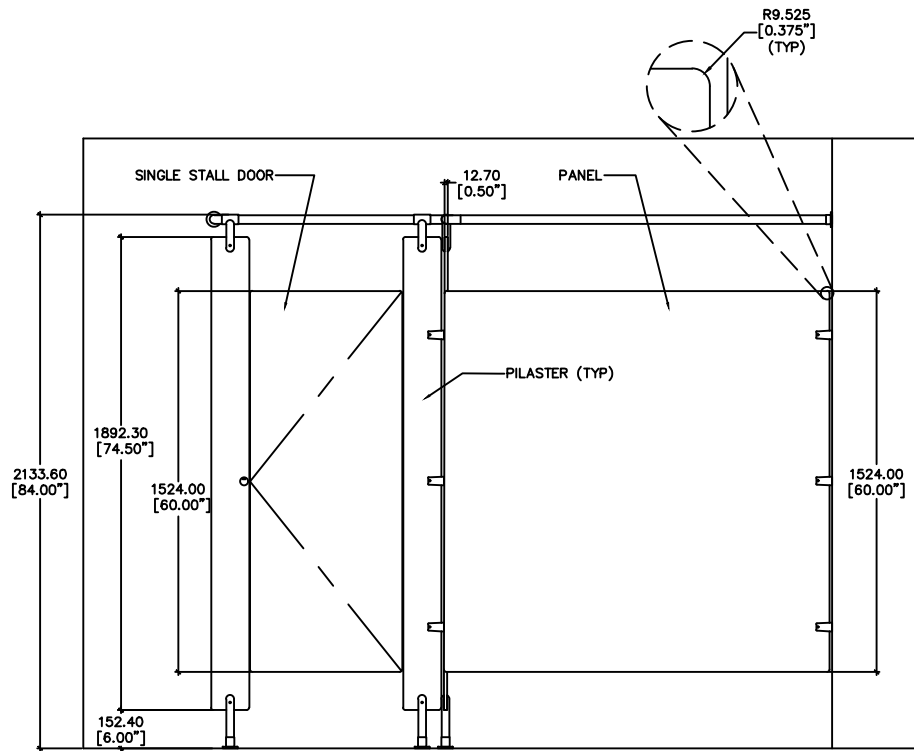
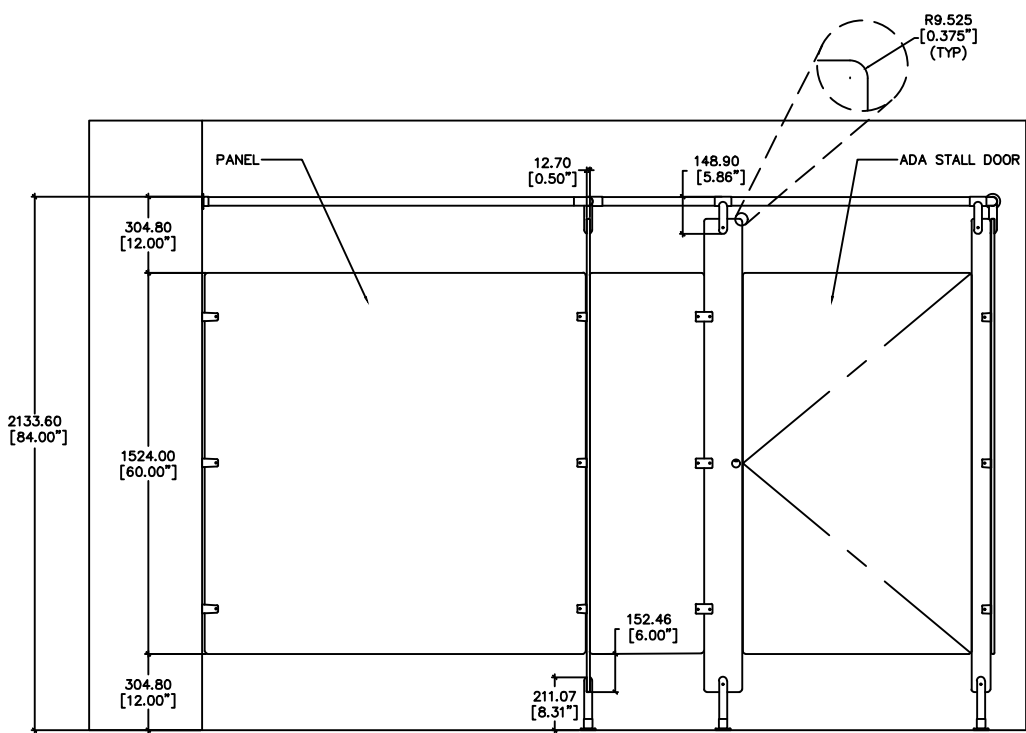


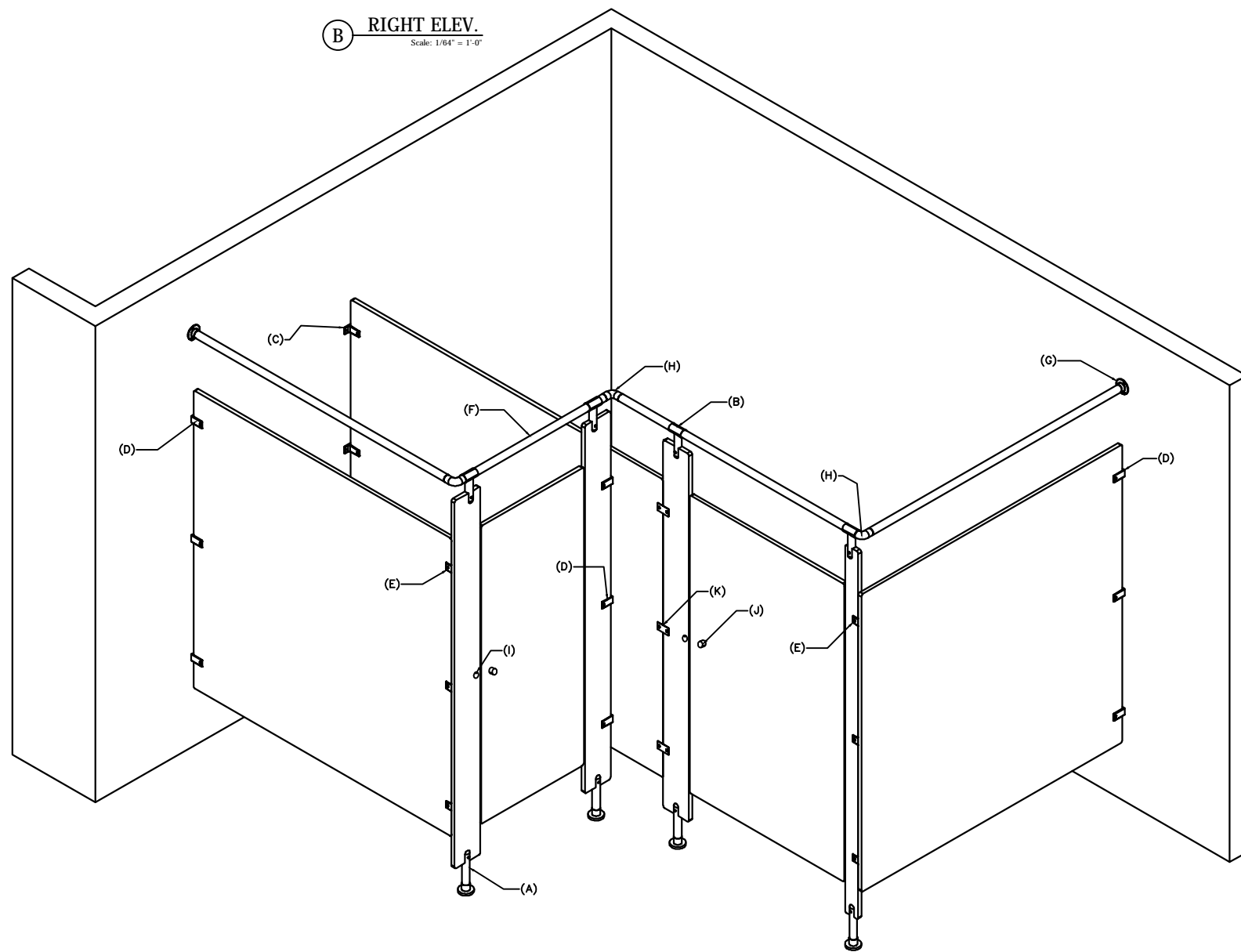
1 FLOOR PLAN
Scale: 1/64" = 1'-0"



B RIGHT ELEV.
Scale: 1/64" = 1'-0"



A LEFT ELEV.
Scale: 1/64" = 1'-0"

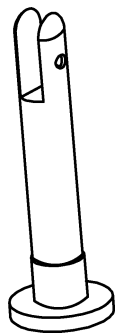


PROPRIETARY AND CONFIDENTIAL
THE INFORMATION CONTAINED IN THIS DRAWING IS THE SOLE PROPERTY OF FOREMAN fitness products. ANY REPRODUCTION IN PART OR AS A WHOLE WITHOUT THE WRITTEN PERMISSION OF FOREMAN fitness products IS PROHIBITED.

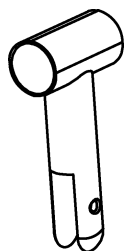
NOTES	

PART DESCRIPTION	TOILET STALL	PARTITIONS

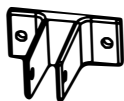
MFG APPR.	--
DRAWN BY:	MA
DATE:	--
SCALE:	1/64"=1'-0"
SHEET No#	1



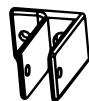
PANEL LEG SUPPORT
STAINLESS STEEL
TYPE: VS-U13
A: HIGHT 150-180mm
(A)



UPPER BRACKET
STAINLESS STEEL
TYPE: VS-T13
(B)



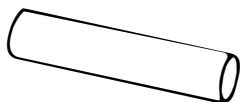
DOUBLE HEAR
STAINLESS STEEL
WALL BRACKET
3/4" / 1/2" PANEL
3"x2 1/2"
(C)



SINGLE HEAR
STAINLESS STEEL
WALL BRACKET
3/4" / 1/2" PANEL
2"x2 1/2"
(D)



"U" BACKET
STAINLESS STEEL
3/4" / 1/2" PANEL
(E)



STAINLESS STEEL
PIPE Ø 1 1/4"
(F)



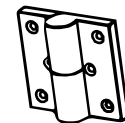
CONNECTOR PIPE 90°
STAINLESS STEEL
TYPE: CX-80
(G)



ELBO BEND CONNECTOR
STAINLESS STEEL
A: Keeps the upper pipe
with a diameter of 32mm
(H)



DOOR LOCK
STAINLESS STEEL
TYPE: CD-L55
(I)



AUTOMATIC CLOSING DOOR HINGE
STAINLESS STEEL
CD-SH70L (LEFT)
CD-SH70P (RIGHT)



DOOR KNOB
STAINLESS STEEL
TYPE: CD-L55
Ø45mm Dia.
(J)



CONNECTOR PLATE
STAINLESS STEEL
(PANEL-PILASTER)
1 1/2"x2 5/8"
(K)



DOOR LOCK
STAINLESS STEEL
TYPE: CD-L55
Ø55 Dia.
(L)



DOOR STOPPER
STAINLESS STEEL
Ø45mm Dia.
TYPE: CS-SS49
TYPE: