

FOREMAN
locker systems

PROPRIETARY AND CONFIDENTIAL

THE INFORMATION CONTAINED IN THIS DRAWING IS THE SOLE PROPERTY OF FOREMAN Products LLC. ANY REPRODUCTION IN PART OR AS A WHOLE WITHOUT THE WRITTEN PERMISSION OF FOREMAN Products LLC IS PROHIBITED.

NOTES

PART DESCRIPTION

NAME DATE

3ft. BENCH

DRAWN BY

MA

-

BENCH

MFG APPR.

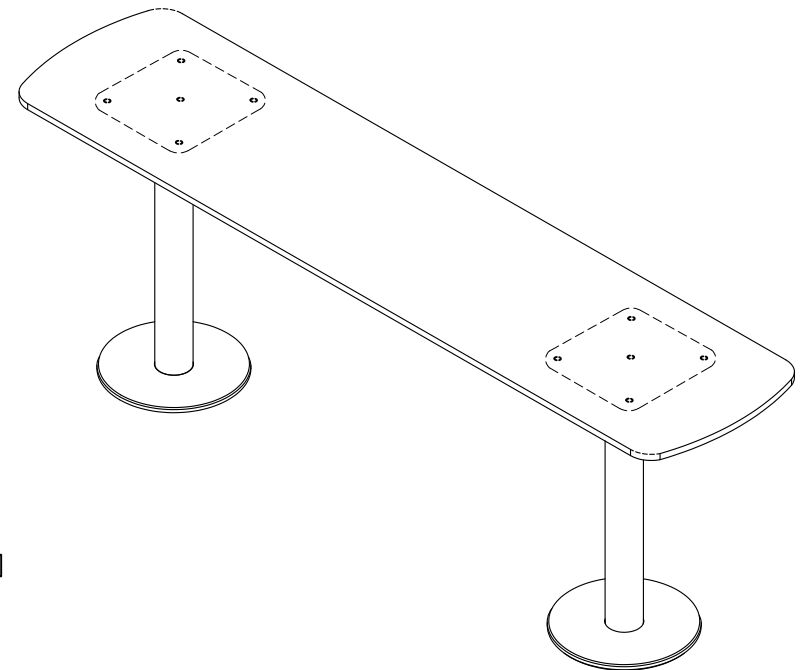
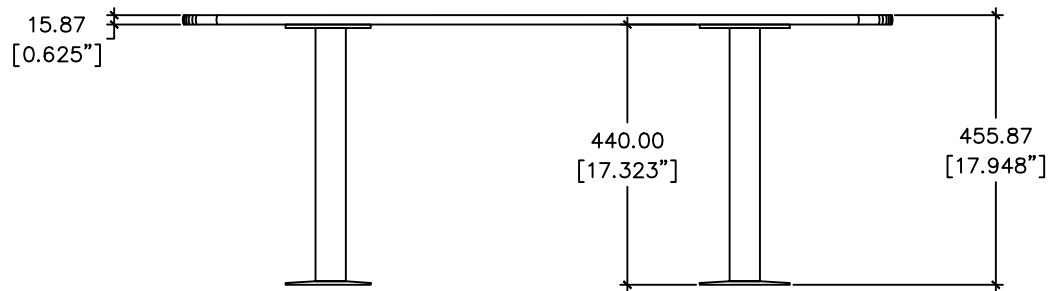
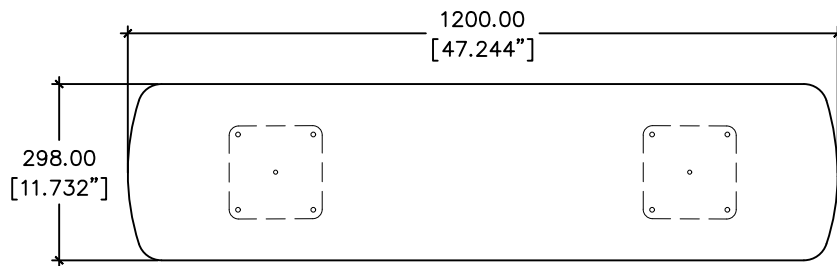
--

-

SCALE: AS NOTED

SHEET No#

1



FOREMAN
locker systems

PROPRIETARY AND CONFIDENTIAL

THE INFORMATION CONTAINED IN THIS DRAWING IS THE SOLE PROPERTY OF FOREMAN Products LLC. ANY REPRODUCTION IN PART OR AS A WHOLE WITHOUT THE WRITTEN PERMISSION OF FOREMAN Products LLC IS PROHIBITED.

NOTES

PART DESCRIPTION

NAME DATE

4ft. BENCH

DRAWN BY

MA

-

BENCH

MFG APPR.

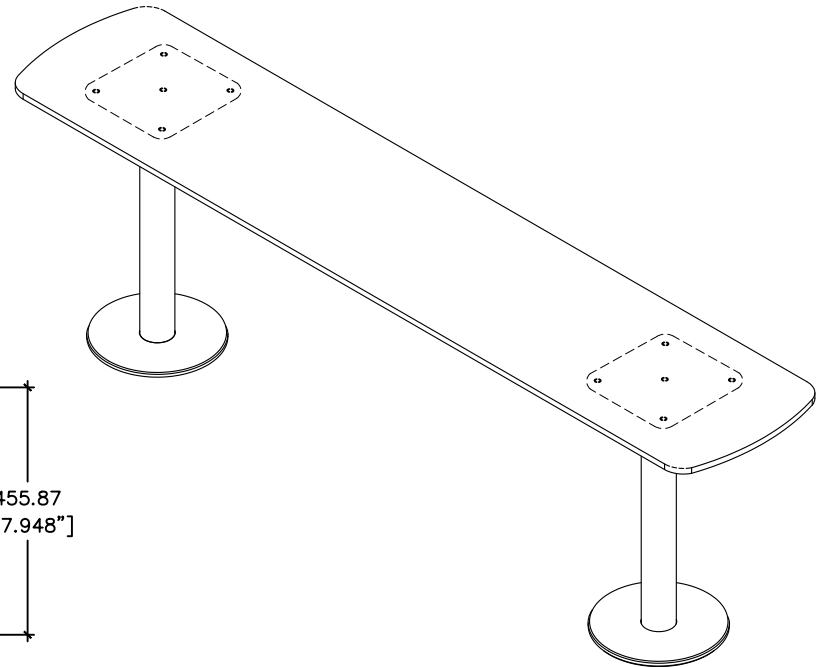
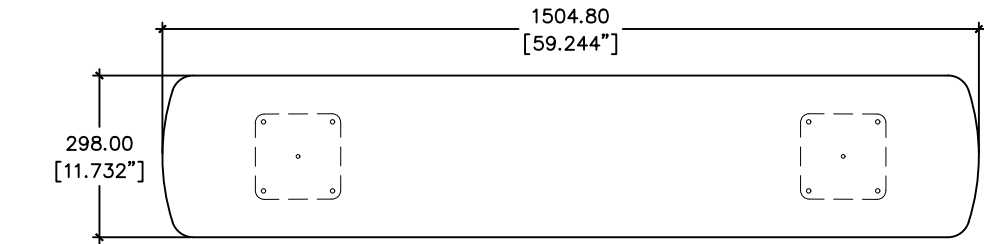
--

-

SCALE: AS NOTED

SHEET No#

2



FOREMAN
locker systems

PROPRIETARY AND CONFIDENTIAL

THE INFORMATION CONTAINED IN THIS DRAWING IS THE SOLE PROPERTY OF FOREMAN Products LLC. ANY REPRODUCTION IN PART OR AS A WHOLE WITHOUT THE WRITTEN PERMISSION OF FOREMAN Products LLC IS PROHIBITED.

NOTES

PART DESCRIPTION

NAME DATE

5ft. BENCH

DRAWN BY

MA

-

BENCH

MFG APPR.

--

-

SCALE: AS NOTED

SHEET No#

3