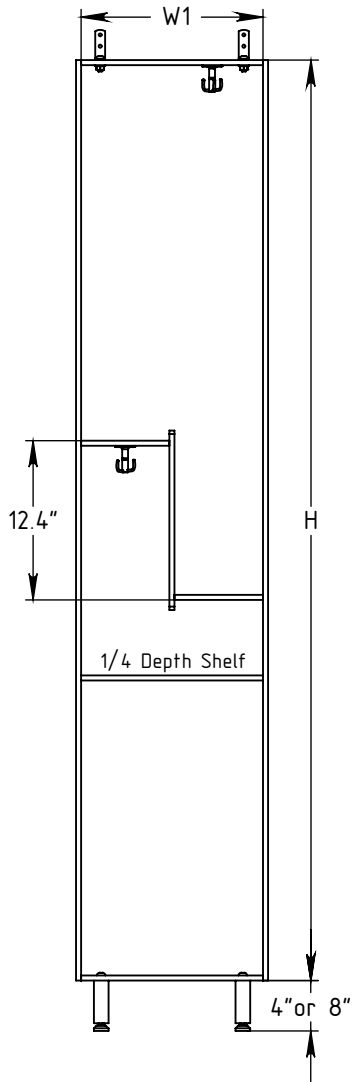
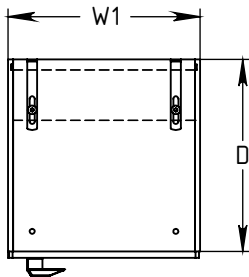


FOREMAN® Traditional Phenolic Z-tier US-style Locker

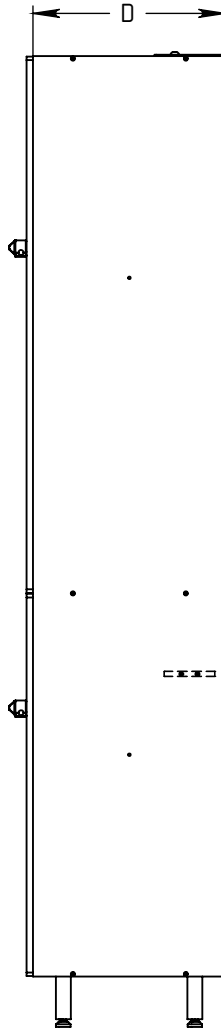
INTERIOR VIEW
WITHOUT DOOR



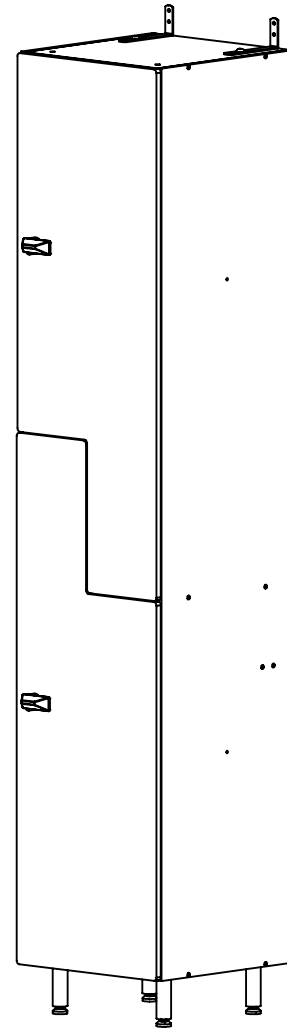
TOP VIEW



SIDE VIEW



3D VIEW



STANDARD SIZE OPTIONS

	12"	15"	18"	---
OA Width (W1)	305mm	381mm	457mm	---
Compartment Depth (D)	12"	15"	18"	20"
	305mm	381mm	457mm	504mm
Height no Legs/Base (H)	60"	72"	80"	---
	1524mm	1828mm	2032mm	---

FOREMAN[®]
locker systems

PROPRIETARY AND CONFIDENTIAL

THE INFORMATION CONTAINED IN THIS DRAWING IS THE SOLE PROPERTY OF FOREMAN PRODUCTS LLC. ANY REPRODUCTION IN PART OR AS A WHOLE WITHOUT THE WRITTEN PERMISSION OF FOREMAN PRODUCTS LLC IS PROHIBITED

DESCRIPTION

Traditional Phenolic Z-tier US-style Locker

--

SCALE: --

NAME

DRAWN BY
KB

MRG APPR.
NB

DATE

10.24.2020

--

FOREMAN® Traditional Solid Phenolic Lockers

(Solid Phenolic Lockers fabricated using traditional cabinetry technology)

Extra durable and heavy duty product represents our traditional, most popular product line for specific applications when humidity resistance is needed. We use ½" (13mm) or optional 3/8" (10mm) thick material for doors and 3/8" shelves, 3/8" (10 mm) or 5/16" (8mm) thick walls and backs inset into the top bottom and side walls. Box has the Mortise & Tenon joint secured with stainless steel screws. The back panel is inset into the top, bottom and sides to make it super secure. Such construction allows us to provide 20 Year warranty for indoor applications though the models are available for outdoor installations with UV-protected layer of compact laminate. All models are available in a Class-A Fire rated material or Chemical Resistant material. Normally ships assembled which saves labor during install. Although when KD shipment is needed the product has is easy and has fast assembling instructions.

FEATURES:

- * Product comes in a **Variety of Standard Sizes and Configurations**. The use of our inventory colors makes **Quick Turnaround Time**. Our stock color program has wood grain and monochrome colors in 3/8" (10mm) thickness.
- * **100° Door opening**. The doors are secured on the stainless steel 5-knuckle hinges. The doors are either using through bolts design for extra **Heavy-Duty applications** or standard concealed screws for a cleaner look. The product line has **extremely durable** and **anti-vandal** construction and valued by high-traffic/schools/colleges facility managers.
- * **Optional polycarbonate (glass) or imprinted image** on the doors of the lockers places the product into hi-end product category.
- * **Optional LED-light and USB charger**. The construction of the lockers features side-mounted phenolic channels for hard-wired RFID-locks or conveniently located wall-mounted USB-charges versa back panel location.
- * **Wide selection of colors by major HPL Manufacturers**. Top rated manufacturers such as Formica, Wilsonart and Fundermax.
- * **Water Resistant**. Materials withstand very humid areas or even direct water, which is a valuable feature for Aquaparks, Swimming Pools and for installations nearby showers. For Outdoor applications we also provide UV-protected doors, side panels and other exterior parts.
- * **Widest selection of lock options**. Beside our selection of pre-engineered pre-set opening for a lock settlement we most likely will be able to integrate most of other lock options.
- * **Lower or Upper Cubby**. The feature is allowed for 1-, 2-, 3- and Z-style lockers.
- * **Optional Bench** sitting on open cubbies or pre-built base.
- * **Unique 20 Year Warranty**.

MODELS and CONFIGURATIONS.

1 through 6-compartment Lockers, Z-Lockers, Open Cubbies and Combo Items, Athletic Lockers.
SIZES: 9" - 24" widths, Standard 36", 60", 72" or 80" high. 12"-24" Depth.

CONSTRUCTION:

Doors have Finished Radius edges that have been processed on CNC-Machines.

3/8" or optional 1/2" solid phenolic doors.

3/8" thick shelves, tops, bottoms. The backs have optional 5/16" material.

HÄFELA aluminum 3-prong rotating hook.

Optional Clothes bar with 2 hooks.

Standard hat and shoe shelves for 1-compartment lockers. Custom design shelves are available upon request.

3M Brushed Aluminum Number Plate.

Optional FOREMAN Hasp Lock. Compatible with most lock systems.

A combination with Open Cubbies and Shelves is available

A combination of compartments of different widths and heights is available.

APPLICATIONS:

Recreational Facilities, Aquatic Parks, Universities and High Schools, Fitness Centers, Ski Resorts, Amusement Parks, Corporate Offices, Remote Oil Platforms, Medical Centers and Labs, Fire Stations, Military Bases, Big Manufacturing facilities, Pet Care applications (kennels), etc.