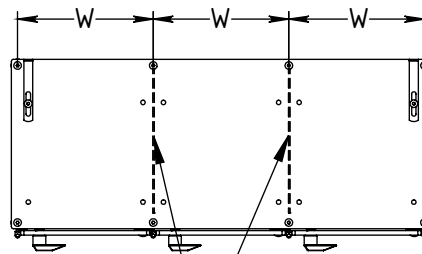
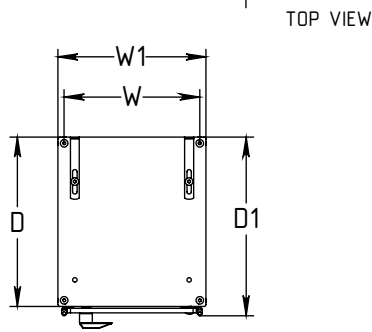
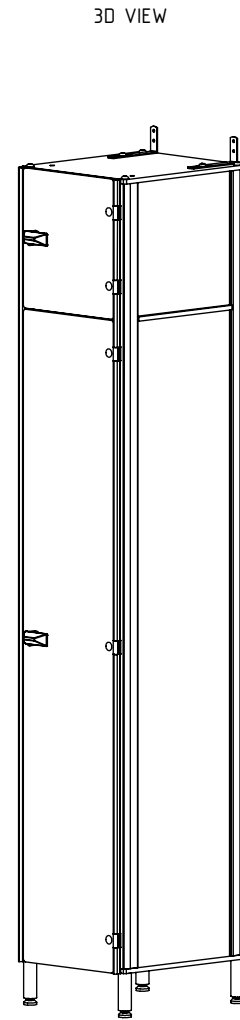
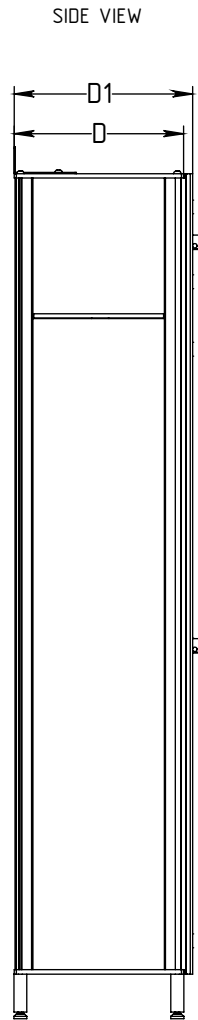
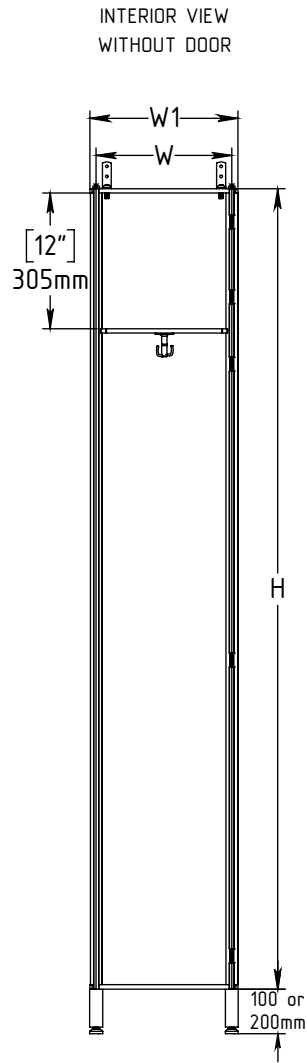


FOREMAN® Employee Locker with the Upper Compartment



ANY NUMBER OF TOWERS HAS
SHARED COMMON PANELS

STANDARD SIZE OPTIONS				
Width CTC (W)	12"	15"	18"	20"
	305mm	381mm	457mm	504mm
OA Width (W1)	13"	16"	19"	21"
	333mm	409mm	485mm	532mm
Depth (D)	12"	15"	18"	20"
	305mm	381mm	457mm	504mm
OA Depth (D1)	12.8"	15.8"	18.8"	20.6"
	325mm	401mm	477mm	524mm
Height no Legs/Base (H)	60"	70 7/8"	80"	---
	1524mm	1800mm	2032mm	---

FOREMAN
locker systems

PROPRIETARY AND CONFIDENTIAL
THE INFORMATION CONTAINED IN THIS DRAWING IS THE SOLE PROPERTY OF FOREMAN PRODUCTS LLC. ANY REPRODUCTION IN PART OR AS A WHOLE WITHOUT THE WRITTEN PERMISSION OF FOREMAN PRODUCTS LLC IS PROHIBITED

DESCRIPTION	NAME	DATE
Employee Locker with the Upper Compartment	KB	06.06.2020
--	MRG APPR.	NB
SCALE: --	Page 1 of 2	