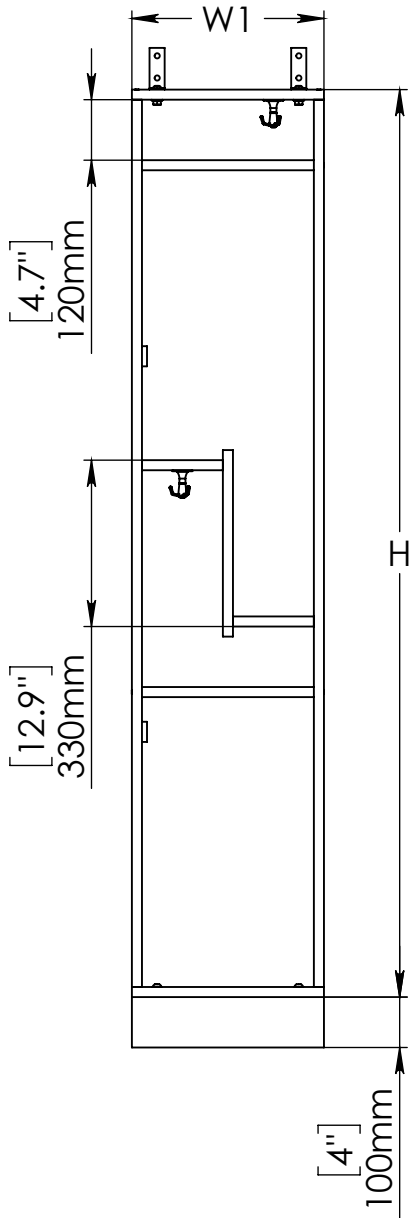
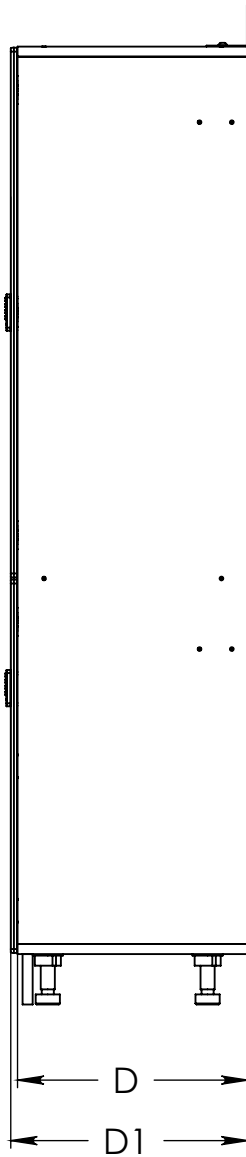


FOREMAN® Hybrid Z-Tier US-Style Locker

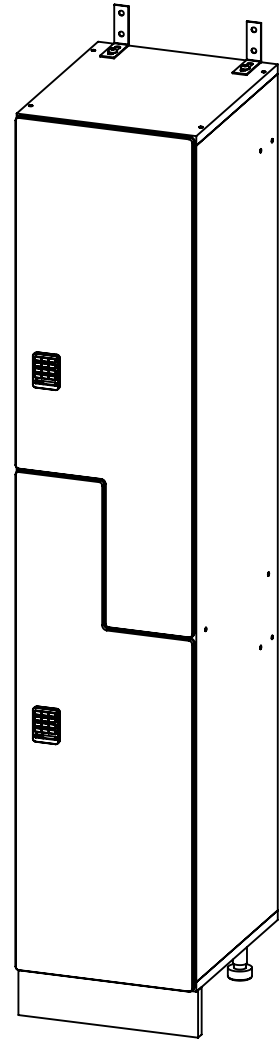
INTERIOR VIEW
WITHOUT DOOR



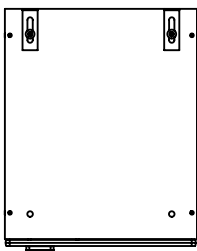
SIDE VIEW



3D VIEW



TOP VIEW



STANDART SIZE OPTIONS

STANDART SIZE OPTIONS				
OA Width (W1)	12"	15"	18"	---
	305mm	381mm	457mm	
Compartment Depth (D)	12"	15"	18"	20"
	305mm	381mm	457mm	504mm
OA Depth (D1)	12.5"	15.5"	18.5"	20.5"
	318mm	394mm	470mm	507mm
Height no Legs/Base (H)	60"	71"	80"	---
	1524mm	1800mm	2032mm	

Our Hybrid Lockers feature a unique design blending a melamine body with a high pressure laminate (phenolic) door. This combination allows for the increased durability and aesthetic appeal of high pressure laminate while maintaining the cost effectiveness of plastic laminate.

MODELS

• 1-6 Tier • 1-2 Tier with Open Cubby • Z Style • Z Style with Open Cubby • *All models may be customized to match individual design specifications

STANDARD CONSTRUCTION ELEMENTS

Dimensions: Width: 9", 12", 15", 18" | Depth: 12", 15", 18", 20" | Height: 36", 48", 60", 71", 80"

Door Opening: 110° with Full Overlay Hinges

Material: High Pressure Laminate ; Melamine ; Stainless Steel Hardware ; Zinc Coated Hardware

Material Thickness: Back: 1/4" Melamine with 3/4" Nailers ; Top, Bottom, and Shelves: 3/4" Melamine ; Door: Standard 3/8" (optional 1/2") ; Optional End, Filler, Slope Top: 3/8" Phenolic

FEATURES

- **Water and Weather Resistant Door-** High Pressure Laminate is resistant to water, UV, scratches, and graffiti allowing the doors to maintain a pristine appearance over time.
- **Indoor Use-** Designed for dry indoor environments, Hybrid Lockers are suitable for locker rooms, break rooms, and staff areas. These lockers are not recommended for areas with direct water exposure or high humidity.
- **Ventilation-** 360° 3mm gap around doors for increased ventilation.
- **Hooks-** 3 Prong rotating hooks come standard with all 1 -2 Tier and Z Style models.
- **Stock Colors -** Choose from a curated list of our most popular color options by leading phenolic suppliers.
*Choosing from our stock colors may help expedite lead times.
- **Extensive Lock Options-** We provide a wide selection of lock types and can integrate additional lock options to meet specific requirements.
- **Lower or Upper Cubby-** Available for 1-, 2-, 3-, and Z-style lockers.
- **High-End Customization Options-** Choose from optional polycarbonate colored glass or imprinted images on locker doors for a premium look. Additional features include optional LED lighting and USB chargers, with side-mounted aluminum channels for hard-wired RFID locks and conveniently placed USB chargers.
- **Number Plates-** Adhesive mounted brushed aluminum plates with black etched reveal.
- **Shipped Fully Assembled-** Hybrid Lockers arrive pre-assembled for quick, hassle-free installation, ensuring consistent quality, and structural integrity.
- **Filler and Toe Kick Panels-** Filler panels close gaps between lockers and walls for a seamless, professional finish, while toe kick panels cover the space beneath lockers, preventing dirt accumulation and providing a polished, clean look to the installation.
- **5-Year Warranty-** Our Hybrid lockers come with a 5 year warranty.

COMMON APPLICATIONS

• Recreation and Fitness Centers • Educational Institutions • Athletic Facilities • Amusement Parks • Corporate Offices and Executive Workspaces • Government Facilities • Medical Offices