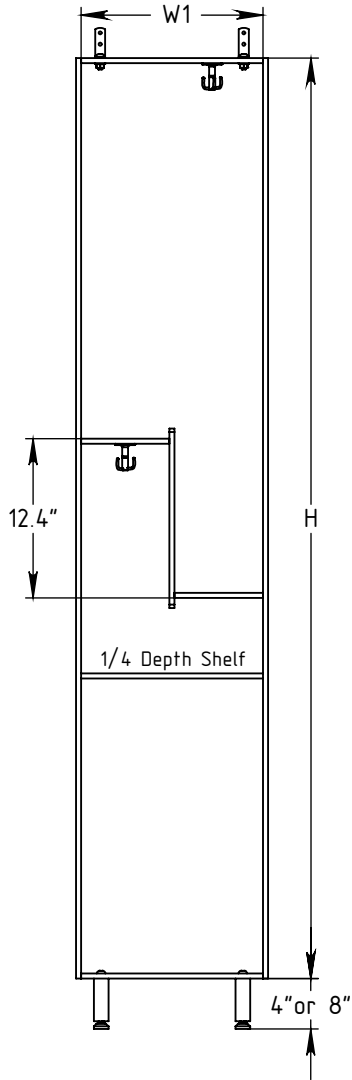
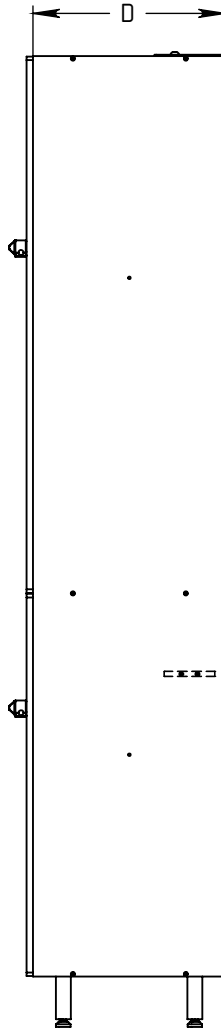


FOREMAN® Traditional Phenolic Z-tier US-style Locker

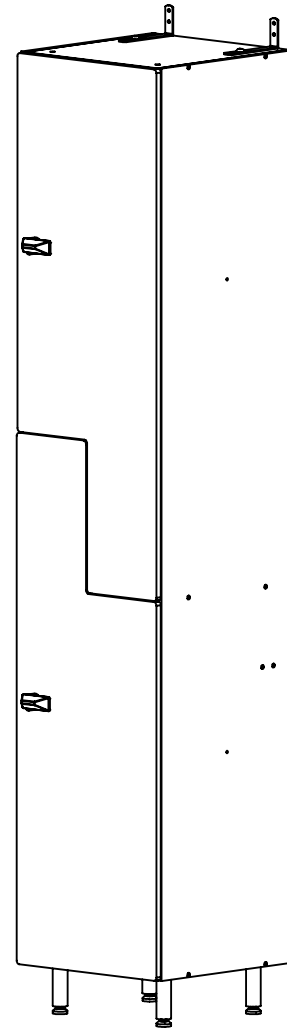
INTERIOR VIEW
WITHOUT DOOR



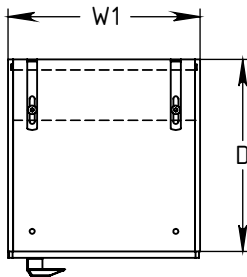
SIDE VIEW



3D VIEW



TOP VIEW



STANDARD SIZE OPTIONS

	12"	15"	18"	---
OA Width (W1)	305mm	381mm	457mm	---
Compartment Depth (D)	12"	15"	18"	20"
	305mm	381mm	457mm	504mm
Height no Legs/Base (H)	60"	72"	80"	---
	1524mm	1828mm	2032mm	---

FOREMAN[®]
locker systems

PROPRIETARY AND CONFIDENTIAL

THE INFORMATION CONTAINED IN THIS DRAWING IS THE SOLE PROPERTY OF FOREMAN PRODUCTS LLC. ANY REPRODUCTION IN PART OR AS A WHOLE WITHOUT THE WRITTEN PERMISSION OF FOREMAN PRODUCTS LLC IS PROHIBITED

DESCRIPTION

Traditional Phenolic Z-tier US-style Locker

--

SCALE: --

NAME

KB

NB

DATE

10.24.2020

--

Traditional solid phenolic lockers are crafted with high-pressure laminate (phenolic) panels, mortise and tenon joints, and stainless steel hardware. The traditional model combines aesthetic appeal with durability, allowing your locker room to retain a pristine, polished appearance for years to come.

MODELS

- 1-6 Tier • Z Style • 2 Tier with Open Cubby • Z Style with Open Cubby • 2 Tier with Open Cubby Bench • Z Style with Open Cubby Bench
- *All models may be customized to match individual design specifications

STANDARD CONSTRUCTION ELEMENTS

Dimensions: Width: 12", 15", 18", 24" | Depth: 12", 15", 18", 20" | Depth with Bench: +12" | Height: 72", 80"

Door Opening: 110° with 5 Knuckle Hinge ; 180° with Aximat Hinge

Body Material: High Pressure Laminate ; Stainless Steel Hardware

Material Thickness: Back: 5/16" ; Top, Bottom, and Sides: 3/8" ; Door: Standard 3/8" (optional 1/2") ; Optional End, Filler, Slope Top: 3/8" (optional 1/2")

FEATURES

- **Water and Weather Resistance-** Built to withstand humid environments and even direct water exposure, making them ideal for aquatic centers, swimming pools, and installations near showers. For outdoor applications, we offer UV-protected doors and panels.
- **Ventilation-** 360° 3mm gap around doors for increased ventilation.
- **Hooks-** 3 Prong rotating hooks come standard with all 1 -2 Tier and Z Style models.
- **Stock Colors -** Choose from a curated list of our most popular color options by leading phenolic suppliers.
*Choosing from our stock colors may help expedite lead times.
- **High-End Customization Options-** Choose from optional polycarbonate colored glass or imprinted images on locker doors for a premium look. Additional features include optional LED lighting and USB chargers, with side-mounted aluminum channels for hard-wired RFID locks and conveniently placed USB chargers.
- **Extensive Lock Options-** We provide a wide selection of lock types and can integrate additional lock options to meet specific requirements.
- **Lower or Upper Cubby-** Available for 1-, 2-, 3-, and Z-style lockers. Optional bench seating can be integrated into the cubbies or installed on a pre-built base.
- **Number Plates-** Adhesive mounted brushed aluminum plates with black etched reveal.
- **Shipped Fully Assembled-** Solid Phenolic Lockers arrive pre-assembled for quick, hassle-free installation, ensuring consistent quality, and structural integrity.
- **Filler and Toe Kick Panels-** Filler panels close gaps between lockers and walls for a seamless, professional finish, while toe kick panels cover the space beneath lockers, preventing dirt accumulation and providing a polished, clean look to the installation.
- **20-Year Warranty-** Our products come with an industry-leading 20-year warranty.

COMMON APPLICATIONS

- Recreation and Fitness Centers • Aquatic Parks • Educational Institutions • Athletic Facilities • Ski Resorts • Amusement Parks
- Corporate Offices and Executive Workspaces • Government Facilities • Medical Facilities • Laboratories