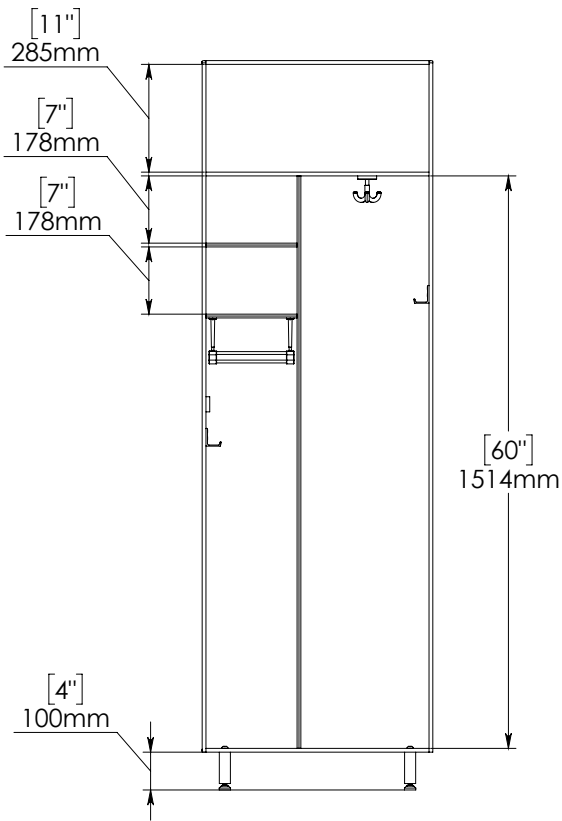
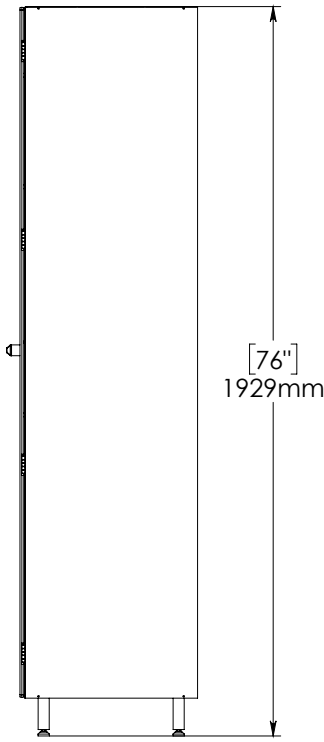


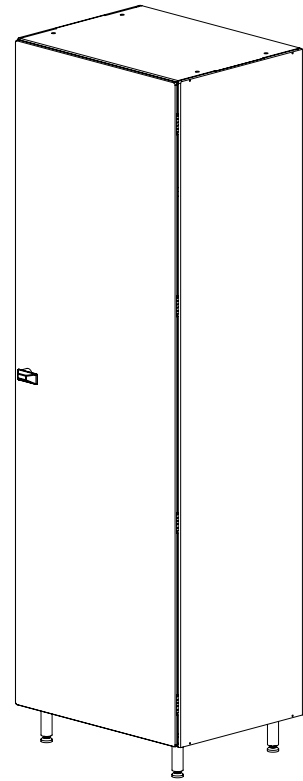
INTERIOR VIEW
(WITHOUT DOORS)



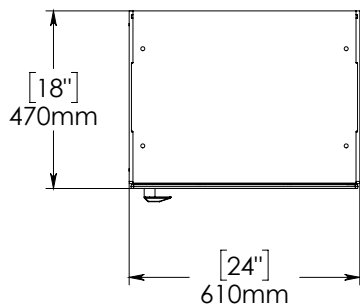
SIDE VIEW



3D VIEW



TOP VIEW



PROPRIETARY AND CONFIDENTIAL	DESCRIPTION	NAME	DATE
THE INFORMATION CONTAINED IN THIS DRAWING IS THE SOLE PROPERTY OF FOREMAN PRODUCTS LLC. ANY REPRODUCTION IN PART OR AS A WHOLE WITHOUT THE WRITTEN PERMISSION OF FOREMAN PRODUCTS LLC IS PROHIBITED	GOLF LOCKER 24"	DRAWN BY	RV 01.04.24
	--	MRG APPR.	SL
	SCALE: --	PAGE 1	

Our athletic lockers feature durable and versatile structural elements to ensure long-lasting use. Each model offering convenient upper and lower storage available in multiple design variations to meet the needs of every athlete.

DESIGN VARIATIONS

Single Tier • (2) Upper Shelves • Vertically Split Main Compartment with (1) Upper Shelf (2) Upper Cubbies • (1) Upper Shelf (3) Small Stacked Lower Cubbies

Double Tier • (3) Small Stacked Cubbies

*All models may be customized to match individual design specifications.

STANDARD CONSTRUCTION ELEMENTS

*measurements expressed in (inches or “)

Dimensions: Width: 18", 24" | Depth: 18" | Height: 72"

Door Opening: 180° with 6063 T6 Aluminum Anodized Profile Integrated Hinges

Body Material: High Pressure Laminate ; Stainless Steel Hardware

Material Thickness: Top, Bottom, Shelves, Sides: 3/8" ; Back: 5/16"

FEATURES

- **Water Resistant & Non-Corroding-** Built to withstand water exposure, making them ideal for humid environments such as aquatic centers, swimming pools, and showers.
- **Indoor / Outdoor Use-** Built to withstand heavy impact, scratches, graffiti, and chemicals. Optional UV protected panels are available for outdoor use.
- **Ventilation-** 360° 3mm gap around doors for increased ventilation.
- **Clothes Hooks and Bars- Single Tier 18"-** (1) 3 Prong Hook and (2) J Hooks or (1) Clothes Bar **Single Tier 24"-**(2) J Hooks and (1) Clothes Bar **Double Tier-** (1) Clothes Bar
- **High-End Customization Options-** Optional features include tempered glass and side-mounted aluminum channels for hard-wired RFID locks and conveniently placed USB chargers and/or LED lighting.
- **Golf Compartments-** An ideal design for any golf enthusiast, this locker features compartments perfectly suited to storing items such as golf shoes, hats, gloves, balls, etc.
- **Adjustable Legs-** 4" or 8" extruded aluminum legs with up to 1" adjustability.
- **Stock Colors -** Choose from a curated list of our most popular color options by leading phenolic suppliers. *Choosing from our stock colors may help expedite lead times.
- **Extensive Lock Options-** We provide a wide selection of lock types and can integrate additional lock options to meet specific requirements.
- **Number Plates-** Adhesive mounted 3M brushed aluminum plates with black etched reveal.
- **Ships Assembled-** Athletic Lockers arrive pre-assembled for quick, hassle-free installation, ensuring consistent quality, and structural integrity.
- **Filler and Toe Kick Panels-** Filler panels close gaps between lockers and walls for a seamless, professional finish, while toe kick panels cover the space beneath lockers, preventing dirt accumulation and providing a polished, clean look to the installation.
- **Warranty-** Our products come with an industry-leading 20-year warranty for indoor use and 10-year warranty for outdoor use.

COMMON APPLICATIONS

•Golf Clubs • Recreation and Fitness Centers • Educational Institutions • Athletic Facilities • Amusement Parks • Outdoor Installations