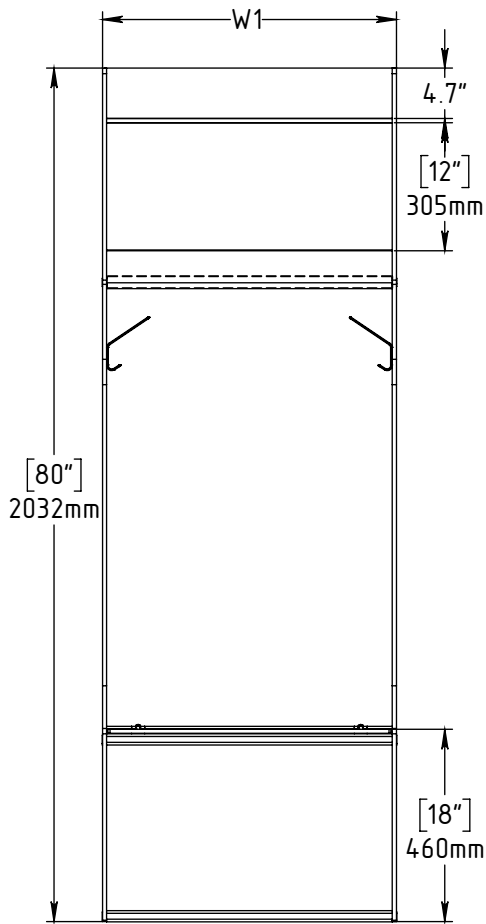
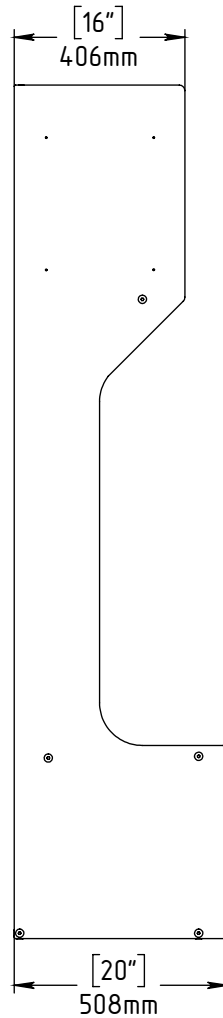


FOREMAN Athletic Locker - Model: CHAMPION 80" High with Upper Shelf for Sports Gear and with a Name Plate

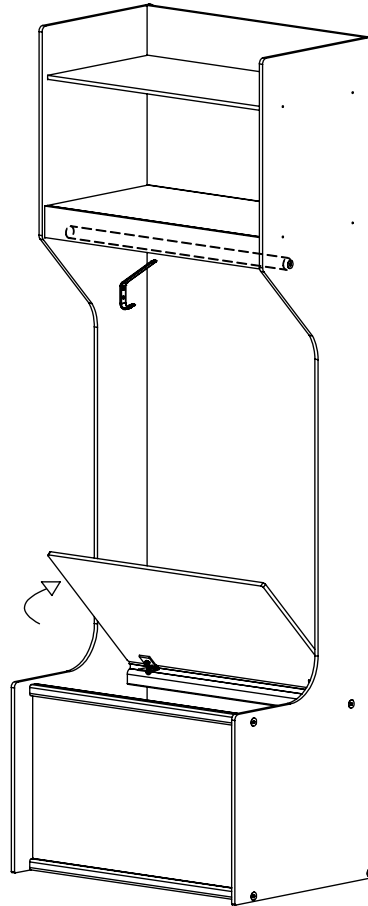
INTERIOR VIEW
WITHOUT DOOR



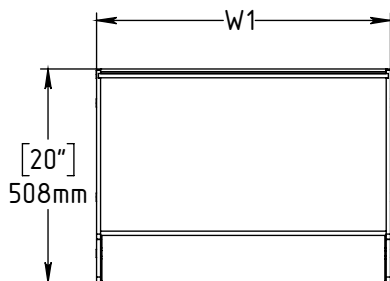
SIDE VIEW



3D VIEW



TOP VIEW



The model CHAMPION A380XX-NYZ is available in several widths with three different configurations for the upper and lower compartments.

XX = Width of the locker (Standard widths are 18",24", 28",30" and 32")

Y = Configuration of the upper compartment and can be substituted by:

"L" = Full Size Locker with Vertical Lift-Up Door

"C" = Open Cubby

"S" = Split Compartment (Half-wide Lockable Safe and Half-wide Open Cubby).

Z= Configuration of the lower compartment and can be substituted by:

"L" = Full Size Locker with Lift-Up Lid

"D" = Drawer

"C" = Open Cubby

AVAILABLE WIDTHS

OA Width (W1)	18"	24"	28"	30"	32"
	457mm	610mm	711mm	762mm	813mm



PROPRIETARY AND CONFIDENTIAL

THE INFORMATION CONTAINED IN THIS DRAWING IS THE SOLE PROPERTY OF FOREMAN PRODUCTS LLC. ANY REPRODUCTION IN PART OR AS A WHOLE WITHOUT THE WRITTEN PERMISSION OF FOREMAN PRODUCTS LLC IS PROHIBITED

DESCRIPTION

Athletic Locker - Model: CHAMPION 80" High with Upper Shelf for Sports Gear and with a Name Plate

--

SCALE:

--

NAME

KB

MRG APPR.

Page 1 of 3

DATE

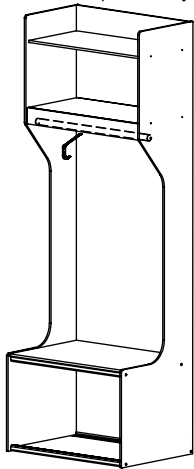
01.01.2020

NB

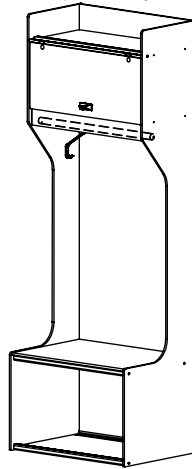
--

FOREMAN Athletic Locker - Model: CHAMPION 80" High with Upper Shelf for Sports Gear and with a Name Plate

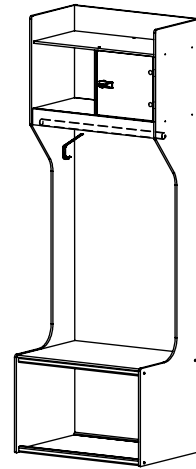
Model: CHAMPION #A380XX-SCC
Unit features an Upper Open Cubby and a Lower Open Cubby



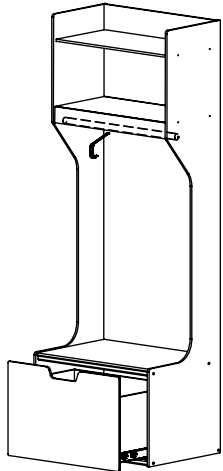
Model: CHAMPION #A380XX-SLC
Unit features an Upper Full Size Locker and a Lower Open Cubby



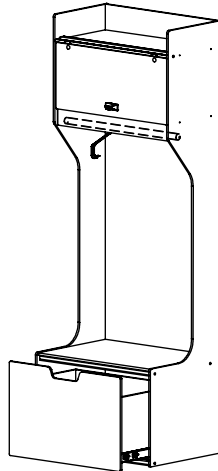
Model: CHAMPION #A380XX-SSC
Unit features an Upper Safe and Small Cubby and a Lower Open Cubby



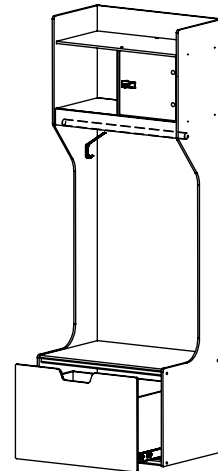
Model: CHAMPION #A380XX-SCD
Unit features an Upper Open Cubby and a Lower Drawer



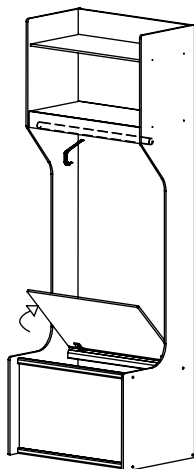
Model: CHAMPION #A380XX-SLD
Unit features an Upper Full Size Locker and a Lower Drawer



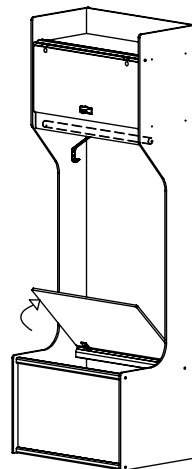
Model: CHAMPION #A380XX-SSD
Unit features an Upper Safe and Small Cubby and a Lower Drawer



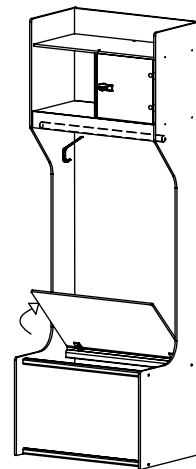
Model: CHAMPION #A380XX-SCL
Unit features an Upper Open Cubby and a Lower Chest with Lift-up Seat



Model: CHAMPION #A380XX-SLL
Unit features an Upper Full Size Locker and a Lower Chest with Lift-up Seat



Model: CHAMPION #A380XX-SSL
Unit features an Upper Safe and Small Cubby and a Lower Chest with Lift-up Seat



PROPRIETARY AND CONFIDENTIAL	DESCRIPTION	NAME	DATE
THE INFORMATION CONTAINED IN THIS DRAWING IS THE SOLE PROPERTY OF FOREMAN PRODUCTS LLC. ANY REPRODUCTION IN PART OR AS A WHOLE WITHOUT THE WRITTEN PERMISSION OF FOREMAN PRODUCTS LLC IS PROHIBITED	Athletic Locker - Model: CHAMPION 80" High with Upper Shelf for Sports Gear and with a Name Plate	DRAWN BY	KB 01.01.2020
	--	MRG APPR.	NB --
	SCALE: --	Page 2 of 3	

Our athletic lockers feature durable and versatile structural elements to ensure long-lasting use. Each model offering convenient upper and lower storage available in multiple design variations to meet the needs of every athlete.

DESIGN VARIATIONS

Upper Compartment • Split Compartment with (1) Open Cubby and (1) Locker • Full Size Cubby • Full Size Locker with Lift-Up Door

Lower Compartment • Full Size Locker with Vertical Lift-Up Door • Drawer • Single Full Size Cubby

*All models may be customized to match individual design specifications.

STANDARD CONSTRUCTION ELEMENTS

*measurements expressed in (inches or ")

Dimensions: Width: 18", 24", 28", 30", 32" | Depth: 20" | Height: 80"

Door Opening: 180° with 6063 T6 Aluminum Anodized Profile Integrated Hinges

Body Material: High Pressure Laminate ; Aluminum Framework ; Stainless Steel Hardware

Framework Details: Extruded 6063 T6 Aluminum Anodized Frame with Integrated Hinges and Stainless Steel Bolts

Material Thickness: 3/8"

FEATURES

- **Water Resistant & Non-Corroding-** Built to withstand water exposure, making them ideal for humid environments such as aquatic centers, swimming pools, and showers.
- **Indoor / Outdoor Use-** Built to withstand heavy impact, scratches, graffiti, and chemicals. Optional UV protected panels are available for outdoor use.
- **Ventilation-** 360° 3mm gap around doors for increased ventilation.
- **Hooks-** (2) J Hooks and (1) Clothes Bar
- **High-End Customization Options-** Optional features include tempered glass and side-mounted aluminum channels for hard-wired RFID locks and conveniently placed USB chargers and/or LED lighting.
- **Stock Colors -** Choose from a curated list of our most popular color options by leading phenolic suppliers.
*Choosing from our stock colors may help expedite lead times.
- **Extensive Lock Options-** We provide a wide selection of lock types and can integrate additional lock options to meet specific requirements.
- **Number Plates-** Adhesive mounted 3M brushed aluminum plates with black etched reveal.
- **Ships Assembled-** Athletic Lockers arrive pre-assembled for quick, hassle-free installation, ensuring consistent quality, and structural integrity.
- **Filler Panels-** Filler panels close gaps between lockers and walls for a seamless, professional quality finish.
- **Warranty-** Our products come with an industry-leading 20-year warranty for indoor use and 10-year warranty for outdoor use.

COMMON APPLICATIONS

• Recreation and Fitness Centers • Aquatic Parks • Educational Institutions • Athletic Facilities • Amusement Parks • Corporate Offices and Executive Workspaces • Government Facilities • Military Bases • Outdoor Installations