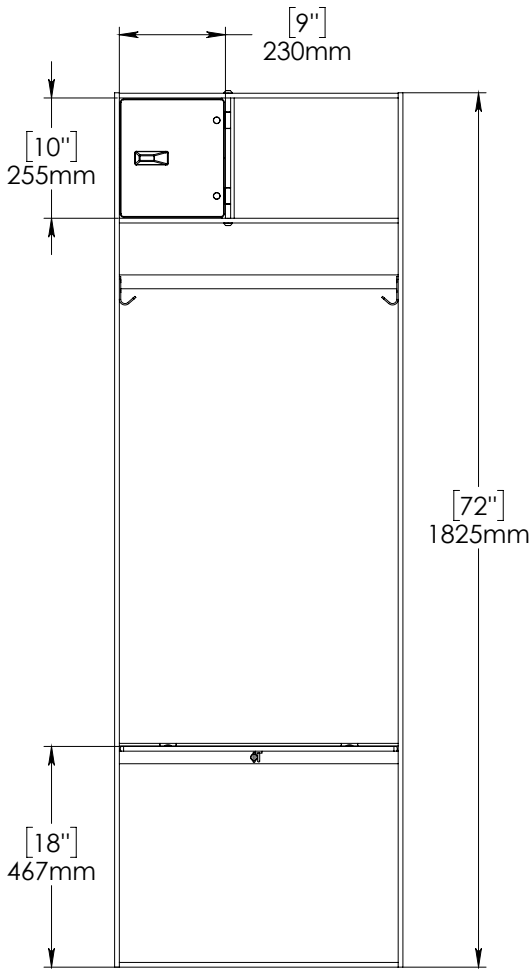


FOREMAN® ATHLETIC LOCKER. Model TRIUMPH 72" High

FRONT VIEW
Hook placement option 1



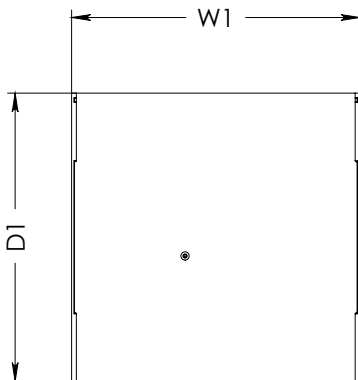
FRONT VIEW
Hook placement option 2



3D VIEW



TOP VIEW



STANDARD SIZE OPTIONS

Option 1	18" x 18" (457mm x 457 mm)
Option 2	24" x 18" (610mm x 457mm)
Option 3	24" x 24" (610mm x 610mm)



PROPRIETARY AND CONFIDENTIAL		DESCRIPTION	NAME	DATE
THE INFORMATION CONTAINED IN THIS DRAWING IS THE SOLE PROPERTY OF FOREMAN PRODUCTS LLC. ANY REPRODUCTION IN PART OR AS A WHOLE WITHOUT THE WRITTEN PERMISSION OF FOREMAN PRODUCTS LLC IS PROHIBITED		ATHLETIC LOCKER. Model TRIUMPH 72" High	DRAWN BY YK	27.05.24
		--	MRG APPR. SL	
SCALE:		1:16	PAGE 1	

Our athletic lockers feature durable and versatile structural elements to ensure long-lasting use. Each model offering convenient upper and lower storage available in multiple design variations to meet the needs of every athlete.

DESIGN VARIATIONS

Upper Compartment • Split Compartment with (1) Open Cubby and (1) Locker

Lower Compartment • Full Size Locker with Lift-Up Door

*All models may be customized to match individual design specifications.

STANDARD CONSTRUCTION ELEMENTS

*measurements expressed in (inches or ")

Dimensions: Width: 18", 24" | Depth: 18", 24" | Height: 72"

Door Opening: 180° with 6063 T6 Aluminum Anodized Profile Integrated Hinges

Body Material: High Pressure Laminate ; Aluminum Framework ; Stainless Steel Hardware

Framework Details: Extruded 6063 T6 Aluminum Anodized Frame with Integrated Hinges and Stainless Steel Bolts

Material Thickness: 3/8"

FEATURES

- **Water Resistant & Non-Corroding-** Built to withstand water exposure, making them ideal for humid environments such as aquatic centers, swimming pools, and showers.
- **Indoor / Outdoor Use-** Built to withstand heavy impact, scratches, graffiti, and chemicals. Optional UV protected panels are available for outdoor use.
- **Ventilation-** 360° 3mm gap around doors for increased ventilation.
- **Hooks-** (2) J Hooks and (1) Clothes Bar
- **High-End Customization Options-** Optional features include tempered glass and side-mounted aluminum channels for hard-wired RFID locks and conveniently placed USB chargers and/or LED lighting.
- **Stock Colors** - Choose from a curated list of our most popular color options by leading phenolic suppliers.
*Choosing from our stock colors may help expedite lead times.
- **Extensive Lock Options-** We provide a wide selection of lock types and can integrate additional lock options to meet specific requirements.
- **Number Plates-** Adhesive mounted 3M brushed aluminum plates with black etched reveal.
- **Ships Assembled-** Athletic Lockers arrive pre-assembled for quick, hassle-free installation, ensuring consistent quality, and structural integrity.
- **Filler Panels-** Filler panels close gaps between lockers and walls for a seamless, professional quality finish.
- **Warranty-** Our products come with an industry-leading 20-year warranty for indoor use and 10-year warranty for outdoor use.

COMMON APPLICATIONS

• Recreation and Fitness Centers • Aquatic Parks • Educational Institutions • Athletic Facilities • Amusement Parks • Corporate Offices and Executive Workspaces • Government Facilities • Military Bases • Outdoor Installations