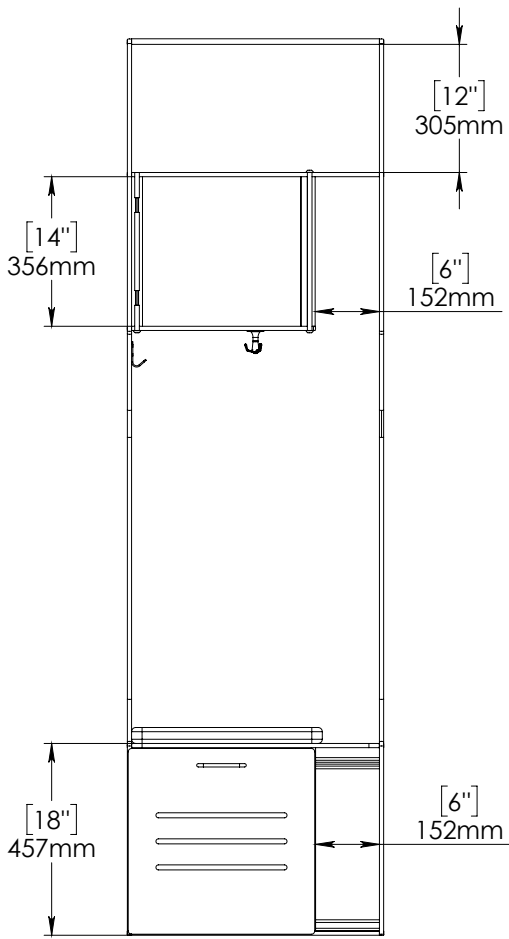
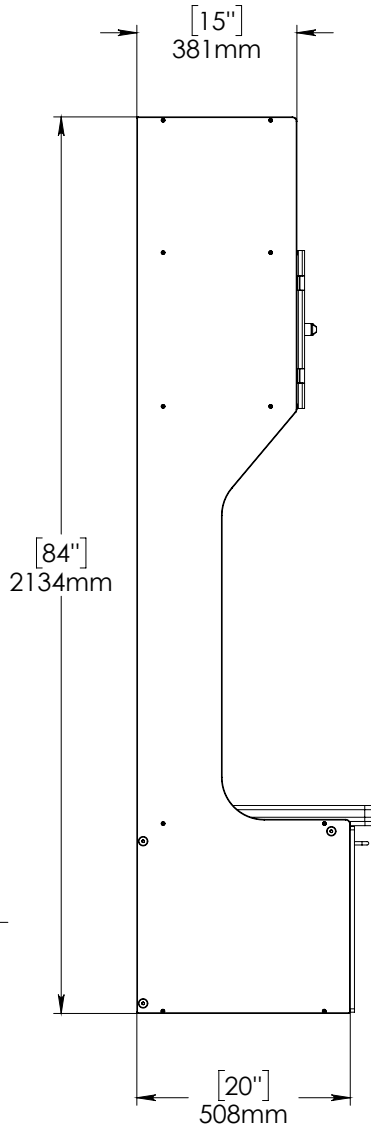


FOREMAN® Athletic Locker - Model: Lacrosse

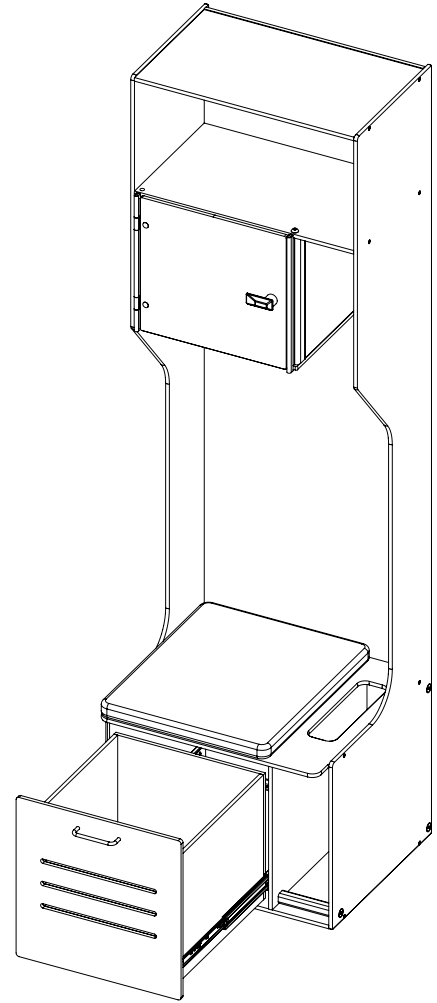
FRONT VIEW
(door not shown)



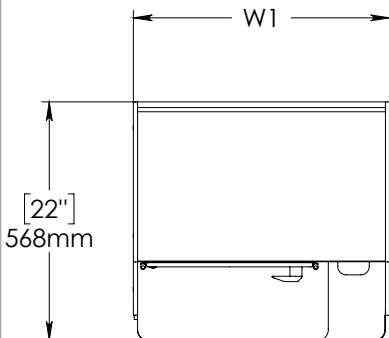
SIDE VIEW



3D VIEW



TOP VIEW



STANDARD SIZE OPTIONS

OA Width (W1)	20"	24"
	508mm	610mm



PROPRIETARY AND CONFIDENTIAL
THE INFORMATION CONTAINED IN THIS DRAWING IS THE SOLE PROPERTY OF FOREMAN PRODUCTS LLC. ANY REPRODUCTION IN PART OR AS A WHOLE WITHOUT THE WRITTEN PERMISSION OF FOREMAN PRODUCTS LLC IS PROHIBITED

DESCRIPTION	NAME	DATE
Athletic Locker - Model: Lacrosse	DRAWN BY YK	03.12.24
--	MRG APPR. SL	
SCALE: --	PAGE 1	