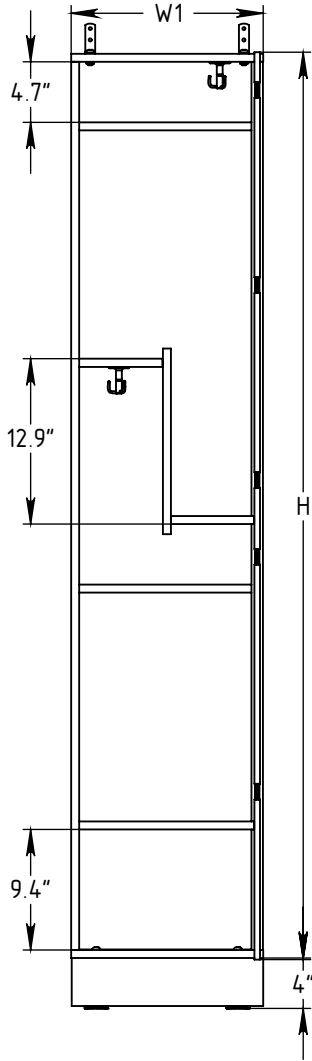
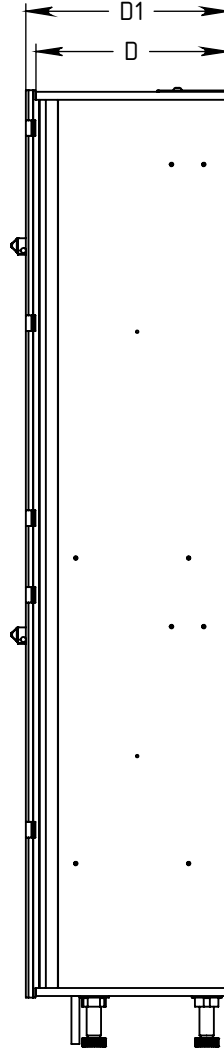


FOREMAN® Hybrid Z-tier EU-style Locker with Aluminum Extruded Profile with Cubby

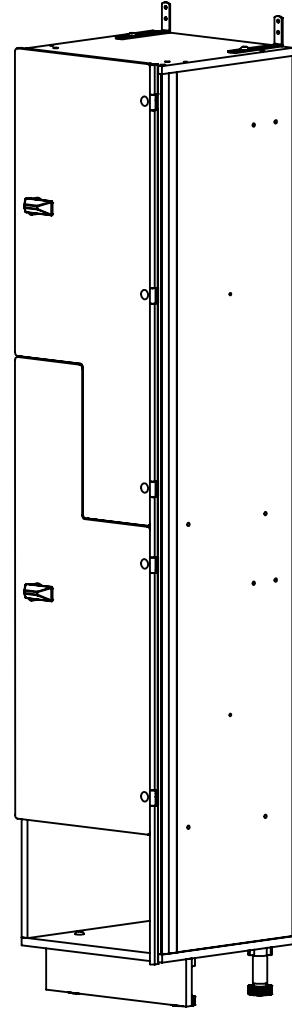
INTERIOR VIEW
WITHOUT DOOR



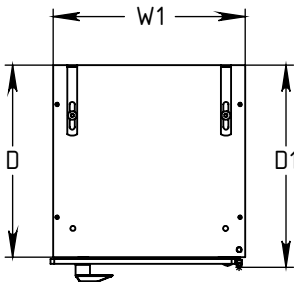
SIDE VIEW



3D VIEW



TOP VIEW



STANDARD SIZE OPTIONS

STANDARD SIZE OPTIONS				
OA Width (W1)	12"	15"	18"	---
	305mm	381mm	457mm	
Compartment Depth (D)	12"	15"	18"	20"
	305mm	381mm	457mm	504mm
OA Depth (D1)	12.8"	15.8"	18.8"	20.6"
	325mm	401mm	477mm	524mm
Height no Legs/Base (H)	60"	71"	80"	---
	1524mm	1800mm	2032mm	

FOREMAN[®]
locker systems

PROPRIETARY AND CONFIDENTIAL

THE INFORMATION CONTAINED IN THIS DRAWING IS THE SOLE PROPERTY OF FOREMAN PRODUCTS LLC. ANY REPRODUCTION IN PART OR AS A WHOLE WITHOUT THE WRITTEN PERMISSION OF FOREMAN PRODUCTS LLC IS PROHIBITED

DESCRIPTION

Hybrid Z-tier EU-style Locker with Aluminum Extruded Profile with Cubby

--

SCALE: --

NAME

DATE

DRAWN BY

KB 08.08.2020

MRG APPR.

NB --

Page 1 of 3

FOREMAN® HYBRID Lockers

(Lockers with Solid Phenolic Doors Secured by Extruded Aluminum Profile to the Traditional Melamine Box)

The most price/durability efficient based on the same well proved FOREMAN Premium Lockers (or Line) technology of non-traditional hinge system and wide (180 degree) opening, on saving cost using traditional melamine box (or when traditional melamine box is used). The line carries the same variety of colors as the PREMIUM line. Solid phenolic doors withstand direct water, they are also scratch resistant - we use 3/8" (10mm) or optional 1/2" (12mm) thick material for the doors. Versatile construction design allows super wide choice of configurations and combinations of cells of different sizes. Efficient material use - neighboring lockers utilize common dividing walls, therefore the product is significantly lighter. Also it normally ships broken down which is a valuable feature for remote installations such as navy bases, nature research stations. Assembling of the Lockers do not require professionally trained staff, detailed installation manual and instructional video shows how easy it goes.

FEATURES:

- * **Wide choice of sizes and configurations.** European and Traditional (short) Z-Shape lockers are available with comfortable two side door opening (the doors are secured with hinges to both sides of the locker box versus standard one side position of the doors).
- * **175° Door opening.** The doors are secured on the hinges integrated into anodized aluminum aircraft quality profile. It is an important feature for labs (open doors do not block the doorway). Unlike traditional hinges, the weakest point of all lockers, this construction provides unlimited number of openings, it is very heavy duty, or anti-vandal and valued by high-traffic/schools/colleges facility managers.
- * **Optional Tempered Glass or Plaxiglass Doors.** For public storage in malls, airports and supermarkets we provide either optional tempered glass doors or less expensive plaxiglass ones.
- * **Optional LED-light and USB charger.** The construction of the lockers features side-mounted aluminum channels for hard-wired RFID-locks or conveniently located wall-mounted USB-charges versus back panel location.
- * **Wide selection of colors by major HPL Manufacturers.** Our stock colors are currently at least 4 solid colors (white, 2 grey shades, red and blue) and 4 woodgrain colors (Tosca, Maple, Callisto, Monte) by FUNDERMAX (Austria) and hundreds of other colors from other manufacturers such as Formica, Wilsonart and others.
- * **Vandal Resistant/Scratch Resistant material for Doors.** Most lock options allow flipping of the door after a long usage making its aesthetic outlook even twice longer.
- * **Widest selection of lock options.** Beside our selection of pre-engineered pre-set opening for a lock settlement we most likely will be able to integrate most of other lock options.
- * **Optional Upper or Lower Open Cubby.** The feature is allowed for 1-, 2- and Z-style lockers.
- * **5 Year Limited Warranty.**

MODELS and CONFIGURATIONS:

1 through 6-compartment Lockers, European- and US- types of Z-Lockers, SIZES: 9" - 18" widths, Standard 48", 60", 71", 80" high. 12"-20" Depth.

CONSTRUCTION:

Doors have Finished Radius edges that have been processed on CNC-Machines.

Aircraft quality aluminum profile with Integrated Hinges.

3/8" or optional 1/2" solid phenolic doors.

3/4" melamine surface with pine core particle board walls

¼" MDF with white vinyl surface back panels

HÄFELA aluminum 3-prong rotating hook.

Optional Clothes bar with 2 hooks.

Standard hat and shoe shelves for 1-compartment lockers. Custom design shelves are available upon request.

3M Brushed Aluminum Number Plate.

Optional FOREMAN Hasp Lock. Compatible with most lock systems.

A combination with Open Cubbies and Shelves is available

A combination of compartments of different widths and heights is available.

APPLICATIONS:

Recreational Facilities, Universities and High Schools, Fitness Centers, Amusement Parks, Corporate Offices, Medical Centers and Labs, Fire Stations, Military Bases, Manufacturing facilities, etc.