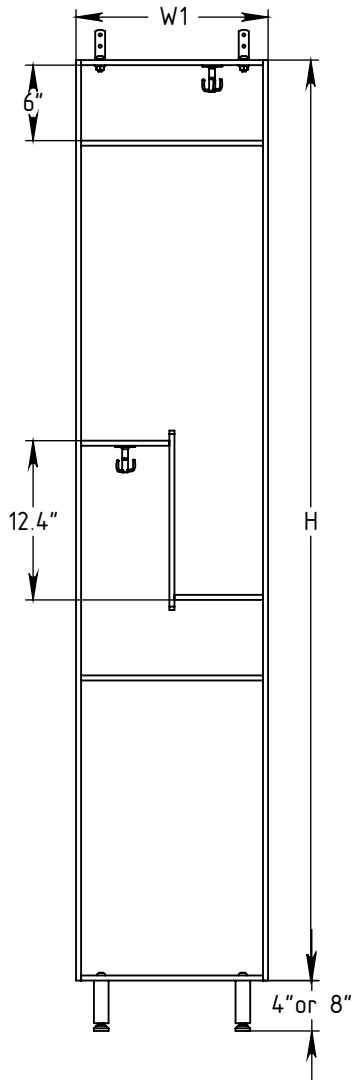
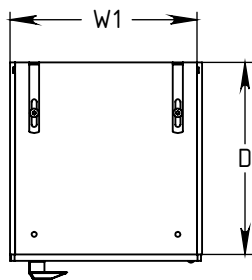


FOREMAN® Traditional Phenolic Z-tier US-style Locker

INTERIOR VIEW
WITHOUT DOOR



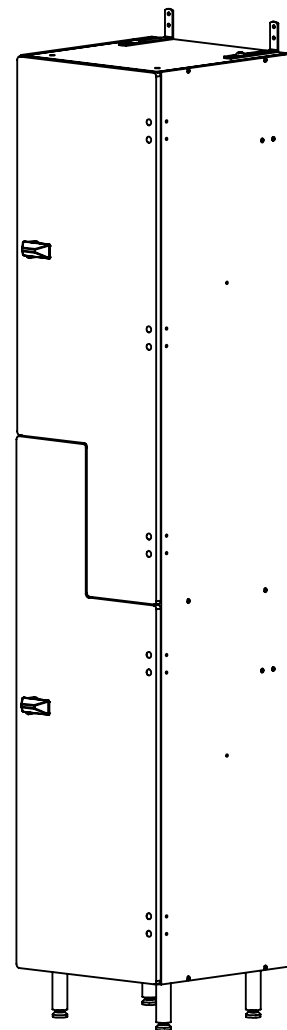
TOP VIEW



SIDE VIEW



3D VIEW



STANDARD SIZE OPTIONS

	12"	15"	18"	---
OA Width (W1)	305mm	381mm	457mm	---
Compartment Depth (D)	12"	15"	18"	20"
	305mm	381mm	457mm	504mm
Height no Legs/Base (H)	60"	72"	80"	---
	1524mm	1828mm	2032mm	---

FOREMAN[®]
locker systems

PROPRIETARY AND CONFIDENTIAL

THE INFORMATION CONTAINED IN THIS DRAWING IS THE SOLE PROPERTY OF FOREMAN PRODUCTS LLC. ANY REPRODUCTION IN PART OR AS A WHOLE WITHOUT THE WRITTEN PERMISSION OF FOREMAN PRODUCTS LLC IS PROHIBITED

DESCRIPTION

Traditional Phenolic Z-tier US-style Locker

--

SCALE: --

NAME

KB

NB

DATE

08.08.2020

--

FOREMAN® Traditional Phenolic Lockers

(Solid Phenolic Lockers fabricated using traditional cabinetry technology)

Extra durable and heavy duty product represents our traditional, most popular product line for specific applications when humidity resistance or something (check in the internet) is needed. We use ½" (12mm) or optional 3/8" (10mm) thick material for doors and 3/8" shelves, 3/8" (10 mm) or 5/16" (8mm) thick walls and backs dadoed into top bottom and side walls. Box has the Mortise & Tenon joint secured with stainless steel screws, shelving is in a channels of the walls super secure. Such construction allows us to provide 25 Year warranty for indoor applications though the models are available for outdoor installations with UV-protected layer of compact laminate. All models are available in a Class-A Fire rated material or Chemical Resistant material. Normally ships assembled which saves labor during install. Although when KD shipment is needed the Product has an easy and fast assembling instructions.

FEATURES:

- * Product comes in a Variety of Standard Sizes and Configurations. The use of our inventory colors makes Quick Turnaround Time. Our stock color program has 5 popular wood grain colors by FUNDERMAX®, the leading manufacturer of Compact Laminate from Austria, and 5 traditional solid colors.
- * 100° Door opening. The doors are secured on the stainless steel 5-knockle hinges. The doors are either using through bolts design for extra Heavy-Duty applications or standard concealed screws for a cleaner look. The product line has extremely durable and anti vandal construction and valued by high-traffic/schools/colleges facility managers.
- * Optional polycarbonate colored glass or imprinted image on the doors of the lockers places the product into hi-end product category.
- * Optional LED-light and USB charger. The construction of the lockers features side-mounted aluminum channels for hard-wired RFID-locks or conveniently located wall-mounted USBcharges versa back panel location.
- * Wide selection of colors by major HPL Manufacturers. Our stock colors are currently at least 4 solid colors (white, grey, red and blue) and 4 woodgrain colors (Tosca, Maple, Callisto, Monte, Cherry) by FUNDERMAX (Austria) and hundreds of other colors from other manufacturers such as Formica, Wilsonart and others.
- * Water Resistant. Materials withstand very humid areas or even direct water, which is a valuable feature for Aquaparks, Swimming Pools and for installations nearby showers. For Outdoor applications we also provide UV-protected doors, side panels and other exterior parts.
- * Widest selection of lock options. Beside our selection of pre-engineered pre-set opening for a lock settlement we most likely will be able to integrate most of other lock options.
- * Lower or Upper Cubby. The feature is allowed for 1-, 2-, 3- and Z-style lockers.
- * Optional Bench sitting on open cubbies or pre-built base.
- * Unique 25 Year Warranty.
- * Standard Class A Fire Rated ½" FUNDERMAX® Material. Optional other vendor's Class A material is available upon request.

MODELS and CONFIGURATIONS:

1 through 6-compartment Lockers, Z-Lockers, Open Cubbies and Combo Items, Athletic Lockers.
SIZES: 9" - 18" widths, Standard 48", 60", 72" or 80" high. 12"-20" Depth.

CONSTRUCTION:

Doors have Finished Radius edges that have been processed on CNC-Machines.

1/2" or optional 3/8" solid phenolic doors.

3/8" thick shelves, tops, bottoms and backs with optional 5/16" material.

HÄFELA aluminum 3-prong rotating hook.

Optional Clothes bar with 2 hooks.

Standard hat and shoe shelves for 1-compartment lockers. Custom design shelves are available upon request.

3M Brushed Aluminum Number Plate.

Optional FOREMAN Hasp Lock. Compatible with most lock systems.

A combination with Open Cubbies and Shelves is available

A combination of compartments of different widths and heights is available.

APPLICATIONS:

Recreational Facilities, Aquatic Parks, Universities and High Schools, Fitness Centers, Ski Resorts, Amusement Parks, Corporate Offices, Remote Oil Platforms, Medical Centers and Labs, Fire Stations, Military Bases, Big Manufacturing facilities, Pet Care applications (kennels), etc.