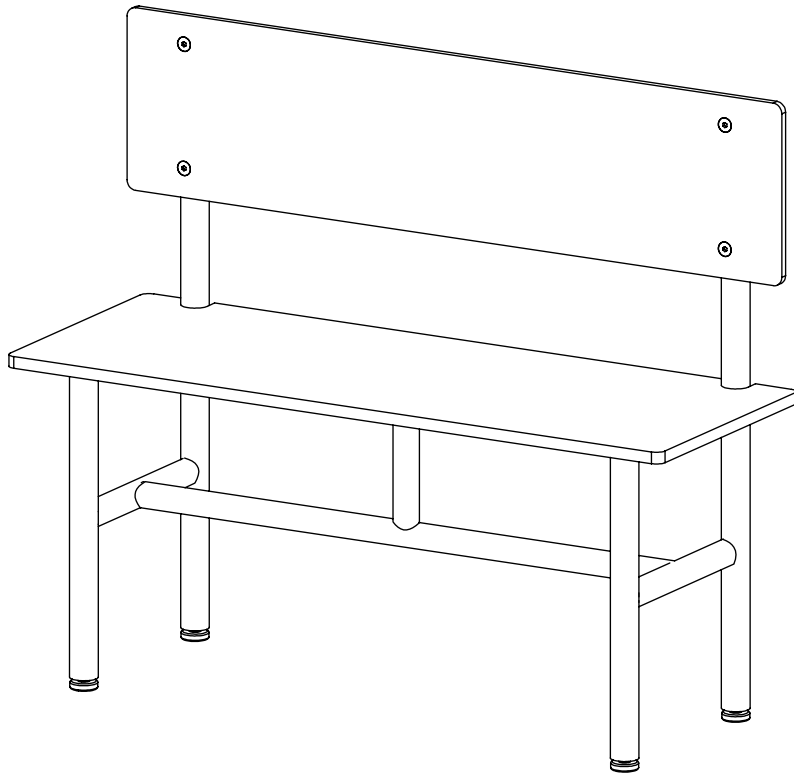
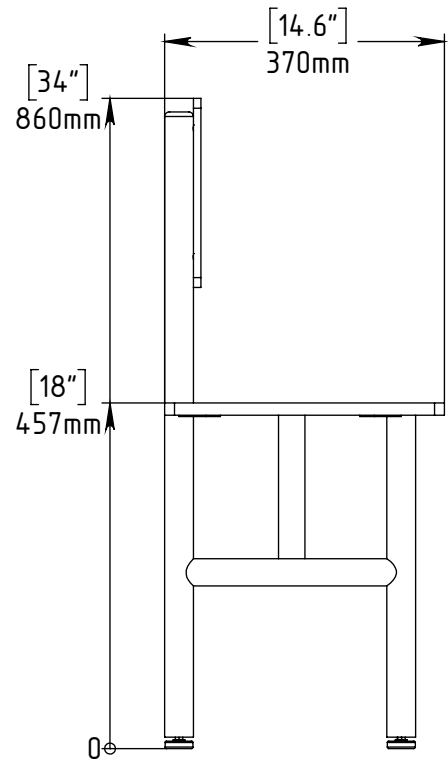


FOREMAN[®] Bench with Back Support

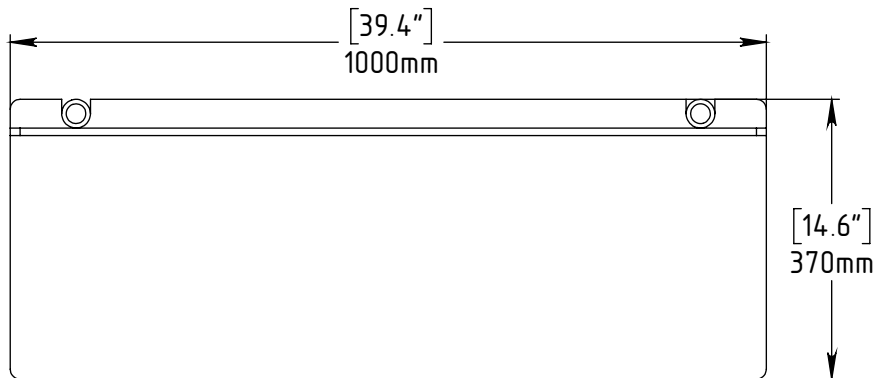
3D VIEW



SIDE VIEW



TOP VIEW



FOREMAN[®]
locker systems

PROPRIETARY AND CONFIDENTIAL
THE INFORMATION CONTAINED IN THIS DRAWING IS THE SOLE PROPERTY OF FOREMAN PRODUCTS LLC. ANY REPRODUCTION IN PART OR AS A WHOLE WITHOUT THE WRITTEN PERMISSION OF FOREMAN PRODUCTS LLC IS PROHIBITED

DESCRIPTION	NAME	DATE
Bench with Back Support	KB	08.08.2020
--	NB	--
SCALE: --	Page 1 of 2	